



## AL KAMEL SYSTEMS PPTracker System

---

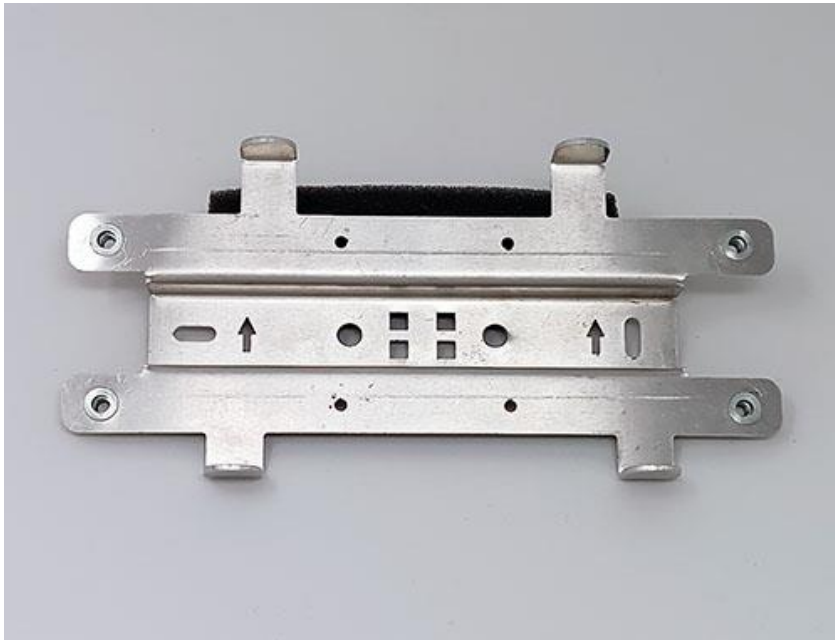
Timekeeping Services | Race Control Solutions | TV Graphics | Rally Tracking  
Security Services | Road Book Services | Radio Systems | Turnkey Projects

The PPTracker System provided by Al Kamel Systems is a GPS tracking and Signaling system designed for Rally and Cross-Country competitions that will be used during Special Stages and the Shakedown. The purpose of this equipment is to improve the safety and visibility of the competitors in this type of events.

Competing vehicles must arrive to Scrutineering with the installation kit supplied by Al Kamel Systems fitted according to the instructions in this manual.



These elements are the components of the fitting kit provided by Al Kamel Systems through its E-commerce website and that each vehicle must request:



**Pic 1. METALLIC BRACKET (Ref. AKS 4069)**



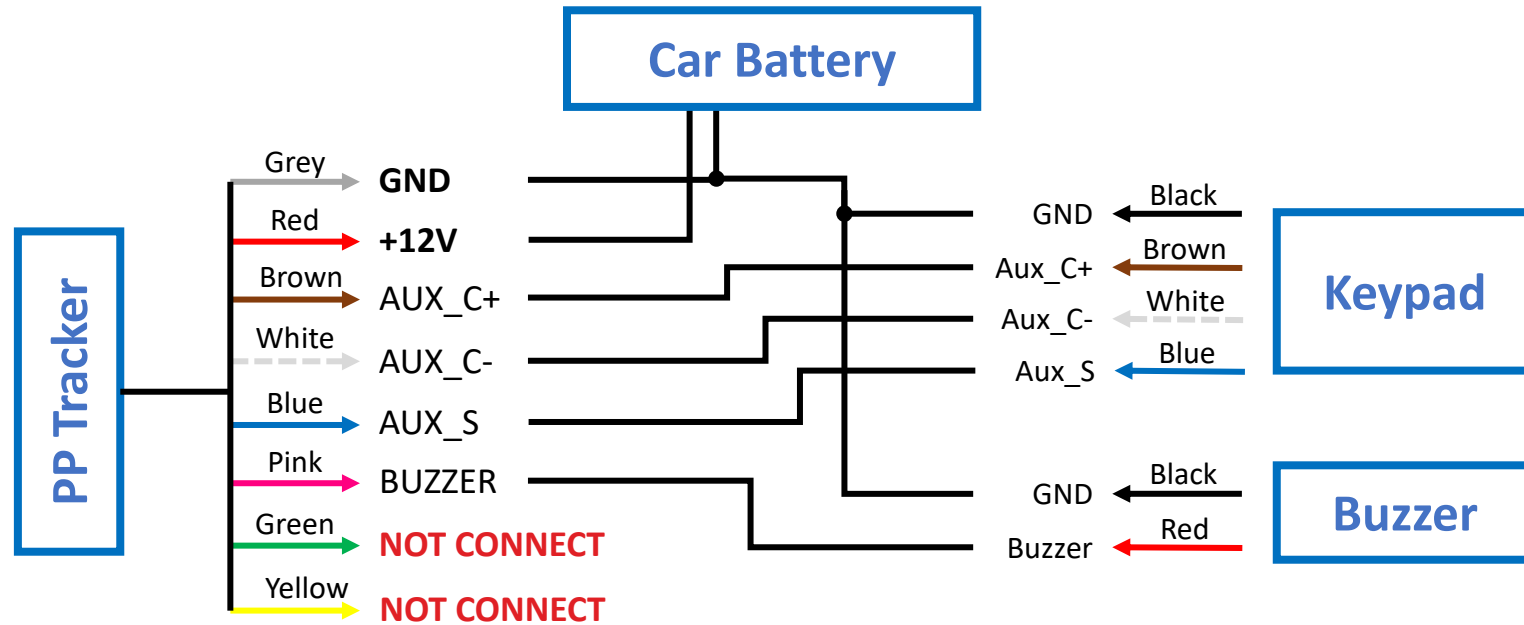
**Pic 2. DUAL ANTENNA 3M (Ref. AKS 4072)**

These elements are the components of the fitting kit provided by Al Kamel Systems through its E-commerce website and that each vehicle must request:



**Pic 3. POWER CORD 3M (Ref. AKS 4070)**

The equipment supplied by Al Kamel Systems must be powered from the vehicle battery whose voltage must be between 9V and 15V. It is strictly forbidden to install any switch or circuit breaker between the equipment and the battery, the current must be supplied directly from the vehicle's battery.

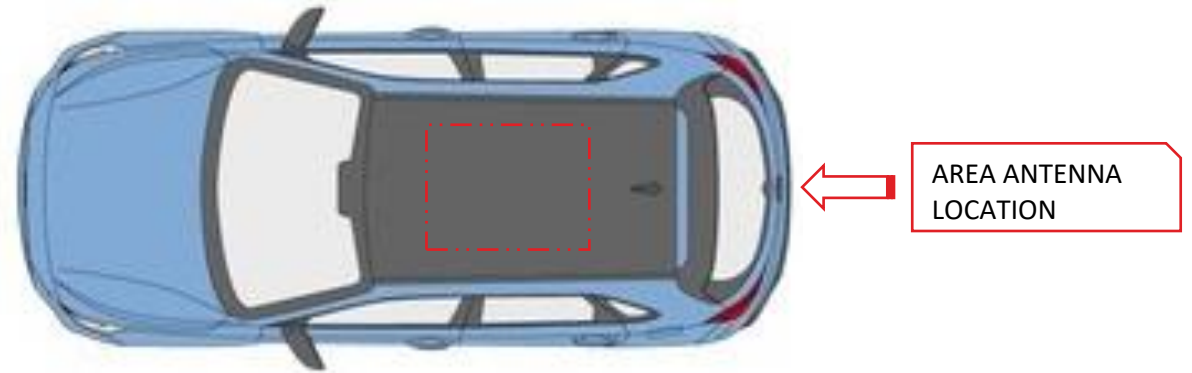


Pic 4. PPTRACKER WIRING DIAGRAM

The antenna has to be installed on the outside of the vehicle. It must be in contact with the bodywork and at the highest part, where there is no element that hides it, helping to improve the reception and sending of the various signals managed by the PPTracker device, as shown below:

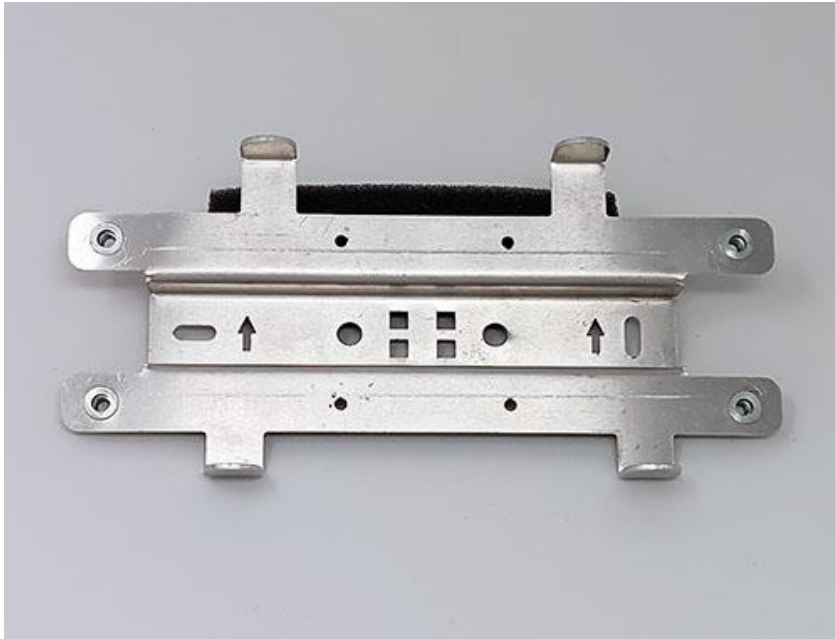


**Pic 5. DUAL ANTENNA**



**Pic 6. CORRECT LOCATION FOR THE ANTENNA**

The PPTracker device will be installed by Al Kamel Systems staff on the bracket located in the central area of the cabin. The bracket must be fixed with the arrows facing up and close to the control panel or dashboard, with the antenna and power cables reaching it from the bottom. The device must be in view of both crew members, so that the information or messages on the main screen can be read, as shown below:



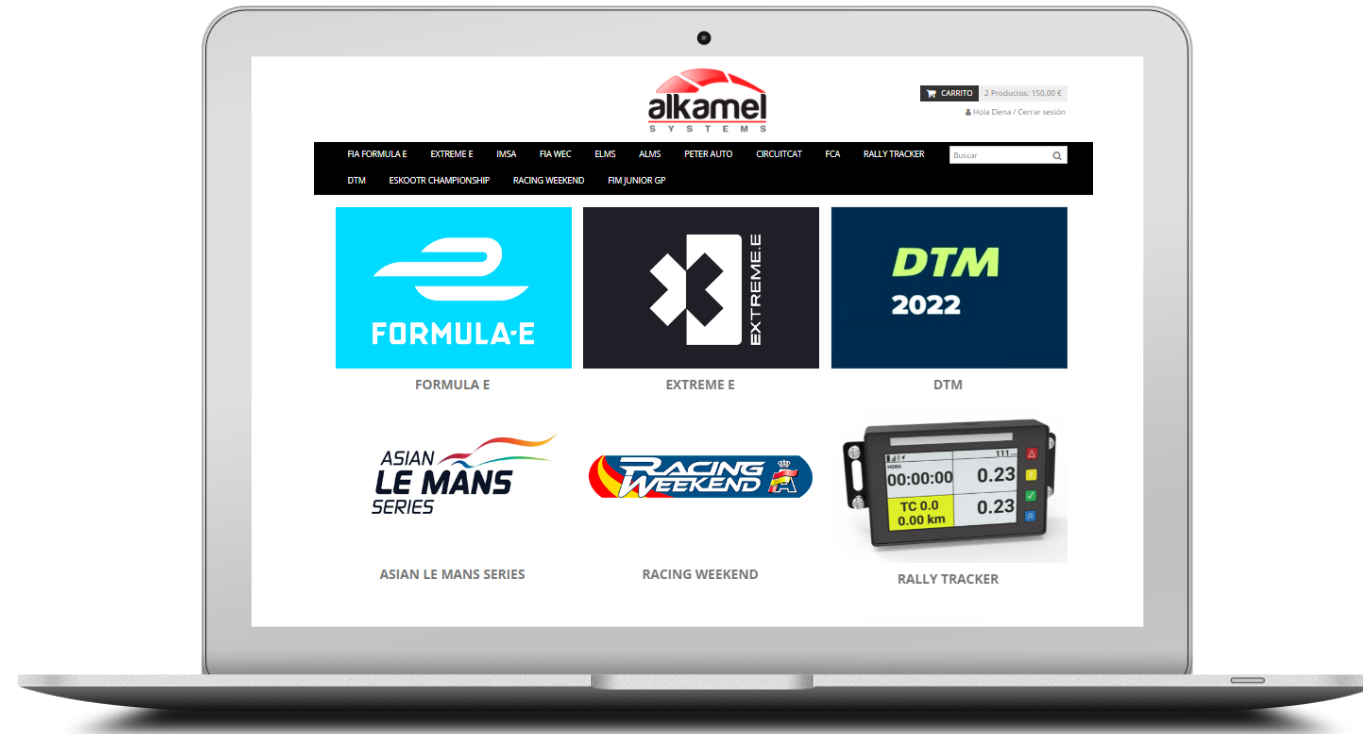
**Pic 7. METALLIC BRACKET**



**Pic 8. DEVICE INSTALLED ON THE CENTRAL AREA**

To acquire the KIT, you shall process it through Al Kamel Systems' E-commerce:

<https://store.alkamelsystems.com/es/55-rally-tracker>





We solve our clients' matters.

Al Kamel Systems S.L.

Tel: +34 935 100 480

Email: [info@alkamelsystems.com](mailto:info@alkamelsystems.com)

