



## 2024 PEARL OF AFRICA UGANDA RALLY

### BULLETIN

---

DATE: 22<sup>nd</sup> April 2024  
TIME: 18h45  
SUBJECT: **Bulletin 3**  
FROM: Clerk of Course  
TO: All competitors  
NUMBER OF PAGES: 1

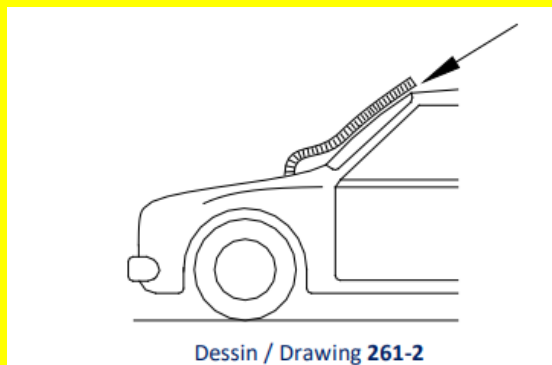
---

Please take note of the following addition in the Supplementary Regulations :

#### INSERT

#### 11.10 Exterior for Cars homologated in Group Rally 2

Additional opening on the bonnet or on a front fender is authorised for the sole purpose of allowing the air supply to the engine and must conform to 900-a1 in Appendix J Article 261



#### 11.11 Front Impact Protection for Cars homologated in Group Rally 2

Front impact protection is authorised and must conform to the specifications of 900-e2 in Appendix J Article 261.

Signed By

Omar Mayanja

Clerk of Course