



FIM FLAT TRACK APPENDICES

2026



IMPORTANT NOTE

Whilst the CCP will make every effort to complete the **2026** championships in accordance with these regulations, it must be understood and accepted that due to the severe health crisis encountered previously, some regulations can be subject to change possibly last minute due to changing circumstances and government requirements.

Changes from 01.01.2026 are in bold.

SPORTING RULES		
1	General	4
1.1	Titles	4
1.2	Definitions	4
1.3	Supplementary regulations	4
1.4	Dates of the race meetings	5
1.5	Responsibility for organisation	5
2	Officials	5
3	Riders	11
3.1	Medical certificate and examination	11
3.2	Age of the riders	12
3.3	Licences	12
3.4	Entries	12
3.5	Fines	13
3.6	Starting numbers	13
3.7	Riding numbers	13
3.8	Permanent riders	15
3.9	Wild card	15
3.10	Substitutes	15
3.11	Signing on	15
3.12	Health and safety	15
3.13	Transponders	16
4	Tracks	16
5	Motorcycles	16
5.1	Artificial heating tyres	16
5.2	Number of motorcycles	16
6	Practice	16
7	Race	17
7.1	Direction of races	17
7.2	Punctuality in starting	17
7.3	Delaying the start	18
7.4	Starts	18
7.5	Race stoppage	18
7.6	Dangerous riding	20
7.7	Re-staging / abandonment of a race meeting	20
7.8	Faulty starting gate	21
7.9	Starting assistance	21
7.10	Leaving the track	21
7.11	Time limit	21
7.12	Finish of a heat	21
7.13	False finish	21
7.14	Rerun heat	21
8	Results	22
8.1	Calculation of the results	22
8.2	Riders' scores	23
9	Race format	23
9.1	Points system	27
9.2	Ties	28
9.3	Run off heats	28

9.4	Communication of the results	29
9.5	Alteration of the results	29
9.6	Price giving ceremony	29
9.7	FIM Awards	30
10	Alcohol/anti doping controls	30
11	Protests/penalties	31
TECHNICAL RULES		
1	Equipment	32
1.1	Clothing / protection	32
1.2	Footwear	32
1.3	Helmet	32
1.4	Gloves	32
1.5	Google	32
2	Construction	32
3	Definition of a solo frame	34
4	Starting device	34
5	Fuel tank	34
6	Open transmission guards	34
7	Exhaust pipe/silencer	34
8	Handlebars	35
9	Control levers	35
10	Footrest	35
11	Mudguards	36
12	Streamlining	36
13	Suspension	36
14	Wheels, rims and tyres	36
15	Capacity	36
16	Supercharging	37
17	Telemetry	37
18	Number plates	37
19	Numbers sashes	38
20	Ignition cut out switches	39
21	Breaks	39
22	Fuel	40
23	Carburation	43
24	Throttle controls	43
25	Gear box	44
26	Machine examinations	44
27	Dangerous machines	46
28	Sound level control	46
Diagrams		50

Sportity

For direct event information please download the Sportity app and insert this password:

FIMFT

Sportity app is available in

Available on the **App Store** | Get it on **Google play**

www.sportity.com

QR codes for app download are provided at the bottom.

1. GENERAL

The following appendices apply to the FIM Flat Track world championship in addition to the rules laid down in the FIM sporting code and the FIM Track Racing appendices.

The FIM Flat Track working group.

For 2026, the FIM Flat Track working group is composed by:

- **The FIM President,**
- **The FIM Track Racing director,**
- **The FIM Track Racing coordinator,**
- **The FIM marketing representative,**
- **The FIM technical representative,**
- **The Teams/Manufacturers (which includes the FIM licenced teams and manufacturers only).**

The FIM Flat Track working group is competent to study and approve amendments to the **FIM** Flat Track regulations proposed by officials, federations, riders, teams, manufacturers, etc. referred to hereafter as the **FT WG**.

1.1 Titles

The FIM recognises the FIM Flat Track world championship in the field of Track Racing. This championship is run under the authority and jurisdiction of the FIM and will be organised in accordance with all FIM rules.

1.2 Definitions

A Flat Track race meeting consists of all official activities related to racing, starting with the first administration controls and machine examinations until the settlement of all possible protests which are to be dealt with by the jury.

The actual racing consists of a series of several heats, between 4 or more riders, referred to hereafter as rider(s), run on an oval or a TT track - please refer to FIM STRC for Flat Track requirements.

These race meetings are run between riders competing individually. Each heat will be limited to one class of motorcycles of the same group.

The FIM world championship, recognised by the FIM, referred to hereafter as the FIM Flat Track world championship will be staged as a final series.

In accordance with prevailing circumstances, the FIM FT **WG** at its sole discretion may cancel, alter, change or amend ANY aspect of the system and/or diagrams (i.e. the selection of wild card riders, permanent riders, nominated riders, etc.) in respect of any FIM championship at any time.

1.3 Supplementary regulations

Supplementary regulations, hereafter referred as SR, must be issued by the FMNR in accordance with the FIM sporting code, the FIM Track Racing appendices or regulations.

For all race meetings counting towards the FIM Flat Track world championship, the SR must be published in English and must be approved by the FMNR and the FIM but also ratified by the international jury during the 1st jury meeting. One copy must be emailed to the FIM administration at least two months before the date of the race meeting for approval by the FIM.

The SR must in no case modify the FIM sporting code and must be drawn up in conformity with the standard model established by the FIM Track Racing commission, hereafter referred as the CCP.

Amendments to the supplementary regulations

No amendment can be made to the SR after their approval by the FIM administration or the FMNR. However, in exceptional circumstances, the international jury or, if the race meeting has

not started, the FMNR after approval of the FIM, can authorise, an amendment to the SR, which must be brought to the attention of all persons concerned.

1.4 Dates of the race meetings

The race meeting diagrams and the dates on which the FIM Flat Track world championship race meetings are to be held will be prescribed, according to art. 20.1 of the FIM sporting code, by the FIM FT **WG**. Each race meeting will be allocated to an FMN. To provide for postponements which may be necessary (due to bad weather conditions for example); the FMNR must declare a re-staging date, which should always be the day following the original date of the race meeting and notify accordingly in the SR.

If the race meeting cannot take place on either of the specified dates, the FIM FT **WG** will agree an appropriate rerun date and venue.

Once the allocated date for the race meeting is known, no other Flat Track race meeting(s) or practice sessions of any kind can be staged at the venue for six days prior to that date and until one day after, unless it's an FIM promoted or approved event.

1.5 Responsibility for organisation

The organiser of the race meeting, whether an FMNR, an individual, a club, a corporate body or a member of such a club or body, is responsible for the overall staging and organisation of the race meeting for which a permit or other authorisation has been granted by the FMNR and for provision of all equipment required for the efficient running of the race meeting.

In accepting these responsibilities, the organiser undertakes to ensure the loyal observance of all rules and provisions of the FIM sporting code, its appendices and regulations.

2. OFFICIALS

Appointment of officials

For FIM championships (which comprise an international jury), the jury president and the referee (race director, medical delegate - technical director, when applicable) are appointed by the FIM. The other officials are appointed by the FMNR.

Incompatibilities of officials

An official cannot be a competitor, team manager, team member, mechanic, manufacturer's representative or sponsor participating in the race meeting.

An FMN delegate can act as a team manager if they have, in accordance with art. 2.4.14, been entered into the race meeting also as a team manager.

Officials who hold a FIM licence

When on duty at FIM World championship, any of the following officials must be a holder of the appropriate FIM international official's licence which is valid for the current year:

- Jury president
- Referee
- FMN and FMNR delegate
- Clerk of the course
- Technical director
- Technical steward
- Timekeeper*
- Sustainability steward
- National team manager

* In respect of the timekeeper position, an organiser can appoint a non FIM licenced timekeeper in which case the recorded times will not be considered official for FIM purposes.

Terms of reference of officials

International jury president

The president of the international jury (jury president) ensures that the decisions of the international jury conform to the provisions of the FIM regulations and the SR of the race meeting.

The jury president can, if necessary, convene any extraordinary meetings.

The jury president has the right to invite any guests to the international jury meetings, when appropriate for the meeting.

The jury president is responsible for the communication with the FMN delegates.

In case of absence of the jury president, the position will be taken by the referee appointed by the FIM.

A meeting of the international jury will be called before the first official practice session and during this meeting the international jury shall approve, control or reject the following matters:

The jury president must approve the SR and any amendments.

The jury president must hear the report from the clerk of the course (and race director when applicable) stipulating that all riders and participants engaged are in possession of their respective entry forms and licences as well as all officials with any responsibility for the running of the race meeting. But also showing all steps to be taken to ensure the orderly running of the race meeting.

The jury president must report and control of the safety standards of the race meeting.

The jury president must approve, control or reject any amendments of requests for extra safety measures as mentioned in the track inspection report.

The jury president must control, of the official permission from the local authorities to run the race meeting and of the third-party liability insurance policy of the organiser.

At the end of the official practice, during a session of the international jury, the president will hear the reports of all the appropriate officials.

At the end of the race meeting, during the last session of the international jury, the president, together with the referee, must approve the official classification of the race meeting. The jury president must also sign, with the secretary to the international jury, all minutes of the jury meetings.

The jury minutes must include details of any outstanding fuel test results where laboratory testing is required. In the event of any anomaly being officially confirmed by the FIM, the jury president will reconvene the jury and impose appropriate penalties as required by these regulations.

A short report of the race meeting must be sent straight after the last jury meeting (number of spectators, accidents ...) to the FIM CCP director and the online report must be filled within 72 hours of the finish of the race meeting with uploading the following documentation:

- the minutes of the international jury meetings (using the official form).
- hearing and proofs of any protests/fines submitted.
- official results and intermediate classification (when applicable).
- the protest fee, if applicable, must reach the FIM administration as soon as possible.

Race director

When considered appropriate, the FIM will appoint a race director, this can be for a single meeting or a series of meetings. The race director is responsible for the conduct and efficient running of a specified meeting or meetings. The race director is a voting member of the international jury and must be present at all international jury meetings.

The race director is responsible for holding regular meetings with the riders and their associations in order to obtain good cooperation and with the aim of continuously improving the standard of the FIM events.

Referee

When on duty, during practice and racing, the referee exercises supreme control over the race meeting and is responsible for ensuring that all regulations are observed. The referee will consult the jury president, the clerk of the course or the race director if their advice necessary.

The referee has no responsibility for the organisation of the race meeting and has no executive duties other than those defined in these regulations.

The referee is entitled to refuse access to the referee box to any person other than the clerk of the course or the FIM jury secretary

When on duty in the referee box, no person can speak to the referee without permission.

The online referee's report must include details of any penalties imposed, delays which may have occurred, protests received and any other incidents which it is considered should be brought to notice.

Accompanied by the clerk of the course, the race director (when applicable) and the jury president the referee must inspect the track before practice and before the first heat.

The referee must prohibit any rider/team from taking part or any machine from being used in practice or in racing if, in his opinion, other rider/team or the public would be endangered.

The referee must ensure that all their decisions which can affect or vary from the published programme, such as the re-running of a heat and the disqualification of a rider are communicated immediately to the clerk of the course or the race director (when applicable) for action.

If a degradation of the track or any other such situation occurs during practice or racing which could cause the postponement, stopping or abandonment of the race meeting, the referee will request the jury president to call an immediate international jury meeting for an appropriate decision which is to be communicated immediately to the clerk of the course for action.

However, the clerk of the course or the race director (when applicable) and the riders must be consulted before any decision concerning weather conditions, surface of the track, visibility of riders or for any other reason which could lead to a dangerous situation for riders or spectators. The decisions of the international jury are to be announced by the speaker to the public.

The referee will inflict a penalty on any person who fails to comply with any regulation or instruction given, or is guilty of misconduct or unfair behaviour, or who shows by word or action dissent from any decision given by the referee or other authorised official.

The penalty can take the form of a warning, a fine or a disqualification of a rider from one or more heats, removal from the race meeting and/or a warning or a report to the FMN of the rider for action as that body may consider fit.

The referee can give the reason for a penalty if the person concerned makes a request for an explanation. Having provided the explanation, the referee will not discuss it in private or in public. When on duty, during practice and racing, the referee will deal immediately with any protest, submitted through the clerk of the course or the race director (when applicable) in accordance with the FIM disciplinary code, these present rules and the SR.

The referee, in agreement with the international jury, will satisfy themselves as to the correct handling of machine examinations of the riders' machines and safety equipment and determine, in conformity with the FIM medical code and the anti-doping code, what controls of the riders' physical conditions are to be made, i.e. medical and doping tests.

The referee must judge in which order the riders cross the finish line and this decision, once announced, is final and may not be the object of a protest.

At the end of the race meeting, during the last jury meeting, the referee together with the jury president must approve the official classification of the race meeting.

The maximum age limit for referees officiating at FIM championships is 60 years.

The referee appointed by the FIM to officiate at a FIM championship cannot act as manager of a national team or individual rider in any Track Racing championship of that year.

FMNR delegate

The FMNR delegate can attend international jury meetings with voting rights.

Clerk of the course

The clerk of the course is responsible for the conduct and efficient running of the race meeting. The clerk of the course is not a voting member of the jury but is considered as in case of no FMNR delegate nominated.

The clerk of the course cannot be a team manager in a competition while appointed as clerk of the course with voting rights.

It is strongly recommended that the clerk of the course speak one of the two official FIM languages. If not, a competent translator must always be available.

The clerk of the course must ensure that the track receives timely and adequate preparation before practice and before racing and that all facilities are provided to maintain the track in a satisfactory condition during practice and during racing.

The clerk of the course must exercise authority over all officials of the race meeting (except for the international jury members) and is responsible for ensuring that they are present and ready to carry out their duties properly.

The clerk of the course must verify the identity of the riders; the correct numbering of the motorcycles, and that there is nothing to prevent a rider from participating in the race meeting, e.g. suspension, disqualification or any other ban on riding.

The clerk of the course must ensure that all riders taking part in the race meeting have signed on and give the signing on list to the jury president.

The clerk of the course must carry out as soon as possible all instructions received orally (directly or by telephone) or in writing from the referee.

The clerk of the course must provide any information regarding the organisation and control of the race meeting which he considers relevant for the international jury or the referee to know or which may be requested by the international jury.

The clerk of the course must prevent any person from communicating directly with the referee, when on duty in the referee box, (including communicating by telephone), without the referee's permission.

The clerk of the course must ensure that protests are in order and accompanied by the appropriate security deposit before passing them to the international jury.

The clerk of the course must notify the international jury of all decisions to be taken or already taken, and of any protest addressed to them.

The clerk of the course ensures that the FIM rules are respected and can propose penalties to the international jury.

The clerk of the course must order the removal from the circuit, track or venue and its vicinity of any person refusing to obey the orders of an official in charge (i.e. people smoking/vaping and drinking alcohol in the pits).

The clerk of the course must ensure that no machine or engine is removed from the pits without the authorisation of the international jury until 30 minutes after the last race.

The clerk of the course must ensure that the speaker has taken notice of the duties as mentioned later in this article.

The clerk of the course must collate the reports of the timekeepers and other executive officials and all other information necessary to present his report to the international jury and have the provisional results of the race meeting approved.

FIM technical director

The FIM technical director is appointed by the director of FIM international technical commission in consultation with the director of FIM Track Racing commission.

The FIM technical director is not responsible for the machine examinations but will ensure that they are carried out in accordance with the FIM technical code.

The FIM technical director works in cooperation with the international jury and clerk of the course.

The authority and duties of the FIM technical director include but are not limited (please, also refer to FIM technical regulations):

The FIM technical director will report any concerns or deficiencies relating to the machine examinations to the FIM jury president and present proposals to resolve such concerns.

The FIM technical director is the final arbiter in relation to technical issues at the event.

The FIM technical director will examine with the chief technical steward the motorcycle(s) and the protective equipment of any rider(s) involved in serious or fatal accidents and presents a written report to FIM jury president.

The FIM technical director will attend all jury meetings but without voting rights.

Technical steward

The technical steward must verify the machines, riders' equipment and helmets in accordance with the FIM Track Racing technical / sporting rules and the SR. Any equipment or helmets can be retained before, during or after the event.

The technical steward must present their report to the international jury prior to and after racing.

The international jury can decide to disqualify a rider after technical steward's advice following an infringement to the machine examinations, but not under the technical steward's power of competence.

Chief medical officer (CMO)

The chief medical officer must fulfil the duties required in the FIM medical code.

Sustainability steward

The sustainability steward will be responsible for all environmental aspects and fulfil the duties

required in the FIM environmental code.

Timekeeper

The timekeeper must be qualified to use a timekeeping system and must record:

The times taken in each heat by the winner and the time taken by any other rider, if so required by the referee, but no other information, can be conveyed to the public.

The records of times must be certified by the timekeeper, retained for scrutiny and not destroyed without the authorisation of the clerk of the course. The FMNR must be advised of all track records established during a race meeting.

Speaker

The speaker must give members of the public such information as they can reasonably require understanding the sport they are watching and to enjoy it.

The speaker must communicate all information as required by the referee, but cannot comment on, give an opinion on or amplify such information or any decision made by the referee.

The speaker must be strictly impartial in what is said and refrain from any statement which can incite members of the public to demonstrate against or denigrate an official, rider or team or to encourage any section of the public to be an annoyance or nuisance to another section.

The speaker must not convey to the public, information which is contrary to the FIM sporting code or the SR, or which is untrue, or information on any protest or appeal, which can be lodged. The speaker must communicate results in English.

Starting marshal

The starting marshal is responsible for ensuring that before the beginning of practice and racing, signaling flags, track marking equipment, rakes and fire extinguishers are readily available and in order.

The starting marshal is responsible for the layout and marking of the starting area to comply with regulations, and that all starting positions are raked, graded or swept to give an even surface immediately before each heat.

The starting marshal is responsible for the riders' control when they are preparing to start in a heat and that he remains in front at the start/finish line with a red flag until he is satisfied all riders are in their correct positions and ready to start. When the Start Marshall is satisfied, they will signal to the referee who will then wait until the start marshal is clear of the riders, then illuminate the green light to indicate to the riders the race is about to start.

The starting marshal is responsible for signals for the stopping of a heat (or the disqualification of a rider) given by the referee are repeated by.

The starting marshal is responsible for flag signals to be made, as agreed and directed by the referee, should the signal lamps fail or not operate in a proper and acceptable manner.

Flag marshals

Please refer to the STRC - Flat Track / TT section.

Pits' marshal

The pits marshal and his assistants must be permanently present in the pits area during the FIM race meeting.

The pits' marshal is responsible for ensuring that only the riders and their teams and other persons with appropriate passes (police, fire and medical staff in uniform and doctors, do not need passes for identification) are permitted in the pits.

The pits' marshal is responsible for ensuring that all necessary equipment, including fire extinguishers and emergency tools (refer to the STRC - Flat Track / TT section) are in order.

The pits' marshal is responsible for ensuring that riders, passengers and machines carry the correct riding numbers according to the programme.

The pits' marshal is responsible for ensuring that riders concerned are marshalled in readiness for the heat in which they are competing immediately after the previous heat has started.

The pits' marshal is responsible for ensuring that before authorising riders and machines to leave the pits for practice or racing, the track is clear of all obstructions.

The pits' marshal is responsible for ensuring that the gate between track and pits is opened only

when necessary for access for riders, machines and pusher-off, and that, during racing, the gate is properly closed and all persons in the pits are kept at a safe distance from it.

The pits' marshal is responsible for ensuring that instructions from the referee or clerk of the course are clearly understood and carried out.

The pits' marshal is responsible for ensuring that nobody smokes in the pits area.

The pits' marshal is responsible for ensuring that during the race and the practice session, except for the riders, only persons who have reached their age of majority/adulthood can enter the pits with valid accreditations.

The pits' marshal is responsible for ensuring that no rider, mechanic, manager or delegate goes on the track when track maintenance is in progress.

The pits' marshal is responsible for ensuring that a race card, placed in the pits area, is filled in and updated according to the points scored during the race meeting.

FMN delegate

Each FMN which has a rider participating in a FIM championship is entitled to be represented by a national delegate, holder of an FIM sporting steward's licence.

All such nominations must be submitted in writing to the FMNR. The FMNs must inform the FMNR of the name of their delegate not less than 15 days prior to the race meeting.

The national delegate represents their FMN and the riders entered by that FMN.

The national delegate is entitled to attend the open meetings of the international jury, as observer, if permitted by the jury president.

The national delegate is entitled to receive documents, including the international jury minutes, during the entire race meeting.

The national delegate is entitled to submit any queries to the jury president so that the international jury is aware of all circumstances.

The national delegate is entitled to receive passes to be present at important places during the race meeting.

If necessary, the jury president will arrange a meeting with all FMN delegates to explain the work of the international jury and to receive the remarks of the FMN delegates.

INTERNATIONAL JURY

The members of the international jury with voting rights are the jury president, the referee, the race director (when applicable) and the FMNR delegate (or FMNR clerk of the course if there are no FMNR delegate). In the case of a tie, the jury president has the casting vote.

The following persons are entitled to attend the meetings of the international jury but without the right to vote: the members of the FIM board of directors, the directors of the permanent FIM commissions and panels, the FIM chief executive officer, the FIM deputy chief executive officer, the FIM sports director, the FIM medical delegate, the FIM technical director, the FIM administrative staff of the sporting commission concerned, the sustainability steward, the chief medical officer, the technical steward, the FMN delegate(s), the team managers and any guests in possession of an FIM licence invited by the jury president.

The international jury will hear any protests that are lodged during the race meeting. No protest can be lodged against the referee or technical steward statement of facts.

Any neutral or legal person, holder of a FIM licence, who considers to be directly prejudiced, during a meeting sanctioned by the FIM, following dangerous, unsporting or fraudulent behaviour, riding act, which has not been subject to a decision by the disciplinary bodies listed in art. 3 of the FIM disciplinary code has the right to protest against such behaviour, riding or act.

Any neutral or legal person, holder of a FIM licence and directly affected by a decision taken during a meeting under the authority of the FIM has the right to lodge an appeal against such a decision. This appeal must be presented to the CAI 5 days at the latest after the notification of that decision.

Appeals against a disciplinary decision taken by the international jury will be dealt with by the CAI.

The international jury has the competence to pronounce ex officio sanctions against riders, team members, officials, promoters/organisers and all the persons involved in any capacity whatsoever in a race meeting.

The authority and duties of the international jury are:

- To ensure the smooth and efficient running of the race meeting.
- To approve all the official results of the race meeting.
- To impose penalties for any infringements of the regulations.
- To impose penalties for any voluntary or involuntary action or deed accomplished by a person or a group of persons during a race meeting, contrary to the current regulations or instructions given by an official of the race meeting.
- To impose penalties for any corrupt or fraudulent act, or any action prejudicial to the interests of the events or of the sport, carried out by a person or a group of persons occurring during a race meeting.
- To impose penalties on organisers for having been unable to ensure the smooth and efficient running of the race meeting or for serious breaches of the regulations.
- To adjudicate on any protest relating to infringements of the regulations.

Any person or organisation affected by a disciplinary decision of the international jury has the right to appeal this decision. This appeal must be presented to the CAI 5 days at the latest after the notification of that decision. Appeals against a disciplinary decision taken by the international jury will be dealt with by the CAI.

If the CAI appeal was not lodged in accordance with the relevant procedures set up by the regulations and/or the security deposit for appeal not paid in within the deadlines specified in art. 4.6 of the FIM disciplinary code, the LIJ director is entitled to declare inadmissible the appeal without hearing.

Nominations

Please refer to art. 2.1 of the FIM Track Racing appendices.

Minutes of the international jury meetings

The minutes for all FIM championships must be written in the English language. They are to be prepared by the secretary to the international jury. A copy of these minutes must be sent to the FIM administration within 72 hours after the race meeting in respect of race meetings counting towards a FIM championship.

The minutes must state in detail any penalty imposed; the decisions taken concerning any protests received (copies of which must be attached; any possible irregularities observed, as well as the opinion of the international jury regarding the success of the organisation and any possible remarks they consider to be worthy of special mention.

International jury meeting room

A special jury room fitted with a large table and enough chairs must be provided for the jury to conduct their meetings. A printer must be available in the room and preferably a photocopier as well as power extensions. A secure and reliable wi-fi internet connection must also be provided. The room must be prepared, available and free always prior, during and after the race meetings. Coffee, soft drinks, snacks etc. must be available at each jury meeting. If the room is always not manned the jury president, the clerk of the course and the secretary must be given personal keys for entering.

3. RIDERS

3.1 Medical certificate and examination

Every rider taking part in Track Racing race meetings must be medically fit.

A special medical examination may be carried out at any time during a race meeting by an official doctor or by another doctor nominated by the chief medical officer (CMO) at the request of the jury president, referee or the FIM medical representative.

Any rider who has suffered an injury requiring hospital treatment and who has not since raced in any official race meeting must provide a medical certificate in english or french confirming fitness to take part in the race meeting.

In addition, the international jury will require the rider to submit to a full medical examination by the chief medical officer or an approved deputy before being permitted to take part in the race meeting or practice.

Furthermore, as proof of fitness it is compulsory for the said rider to take part in the scheduled practice session for the race meeting unless excused by express permission of the FIM FT **WG**.

Please refer to the FIM medical code.

3.2 Age of riders

Licences for riders are issued for FIM Flat Track world championship, as well as for Flat Track international race meetings, only when the minimum age has been attained as below:

Class	Minimum	Maximum
World championship (450cc)	16 years	-
Youth world cup (250cc)	13 years	16 years
Women's world cup (450cc)	16 years	-

The minimum age starts on the competitors' minimum age birthday.

For applicants aged over 50 years, please refer to the FIM medical code.

3.3 Licences

In conformity with the FIM sporting code, the riders must be holders of an appropriate and valid FIM World championship Track Racing licence to be allowed to take part in a FIM Flat Track world championship:

- Annual FIM Speedway Grand Prix world championship licence.
- Annual / one event FIM Flat Track world championship licence.
- Annual / one event FIM Track Racing world championship licence.
- **Annual / one event women's/youth FIM Track Racing licence (for youth and women world cup only).**

Licences will not be required to be shown by the riders as the FIM will provide to appropriate officials a list of licensed riders in advance of the competition dates.

3.4 Entries

On agreeing to enter the final series, a rider will participate into all the FIM Flat Track world championship final series race meetings and will be called up to do unless prevented from doing so by injury or other "force majeure".

In the case of injury or illness a suitably qualified medical body must certify injury or illness in writing to that effect.

Entries must be made by the FMNs on the FIM dedicated form and must be sent no later than the deadline set by and to the FIM/CCP administration by the federation.

FMNs failing to send in entry forms, in accordance with the above, will lose their allocated place in that FIM championship race meeting(s).

A nominated substitute rider, who without a reason accepted by the FIM FT **WG** refuses to take part in a race meeting, will be removed from the nominated substitute rider list for the rest of the season.

If the line up is not completed, temporary substitute riders will be selected on a per race meeting(s) basis by the FT **WG**.

Withdrawal before an FIM race meeting

A rider or a team who refuses nomination by their FMN for a FIM championship, having accepted nomination refuses to take part, will be deemed banned for a minimum period of 1 day before and 28 days after the race meeting concerned. Furthermore, they will be considered ineligible for all FIM championships for the remainder of the season. The FIM and the CCP main committee can also pronounce a fine between 10'000 and 100'000 euros.

A rider or a team that starts in a FIM championship and qualifies for the next round (i.e., semifinal, final or final series) must participate unless prevented from doing so by injury or illness (certified in writing to that effect by a suitably qualified doctor) or other "force majeure".

A decision on the acceptability of other "force majeure" must be taken by the international jury of the race meeting from which the rider is absent or by the CCP main committee, if the absence is known before the race meeting.

Cancellation of an entry

A ban entails the cancellation of all entries made by the sanctioned rider for any race meeting to be held during the period of suspension.

3.5 Fines

Every breach of the rule shall be penalised with a fine or penalised with another sanction provided for in the FIM disciplinary code. The sanction must be proportional to the offence, and to the circumstances (attenuating or aggravating if applicable) and taking account of any possible advantage gained by the rider.

Riders breaking the rules shall be sanctioned by the international jury as follows:

	AMOUNT
Any inappropriate conduct	
with words or signs	1000€
with violence	2.000 € and up to disqualification from the race meeting
Arriving after the start of heat 1	600 € Disqualification from the race meeting
Absence without having advised the FIM in writing or absence after having advised the FIM in writing but for a reason not accepted by the international jury	2000 €
Non-respect of the track walk time	First offence: Warning Second offence: 300€
Non-respect of the mechanics' line (when applicable)	First offence: Warning Second offence: 300€
Absence or late arrival at: Machine examination	300 €
Signing on	300 €
Practice	300 €
Riders' briefing	300 €
Parade	300 €
Prize-giving ceremony	300 €
Press conference	300 €
Not using an environmental mat in the pits, parc fermé	70 € per mat
Loss or forgotten transponders	200€
Front plate not complying to art. 3.7 of sporting regs and 18 of technical regs.	200€
Racing gear or race suit not conforming to technical regulations art. 19 during practice, opening ceremony/parade, race meeting, gate selection, prize-giving ceremony.	First offence: warning Second offence: 200€

All other offences to the rules will be penalised according to the FIM disciplinary code. Riders are responsible for their mechanics and team.

3.6 Starting numbers

The starting numbers positions will be balloted in the FIM HQ.

Places made vacant by withdrawals will be filled by FIM FT **WG** decision and any FMN not honouring its engagements will be penalised after an investigation of the circumstances by the FIM FT **WG**.

3.7 Riding numbers

Each rider accepted for the FIM Flat Track world championship will be allocated a series number between 1 and 30, which will be valid for the FIM Flat Track world championship series of that year.

Additionally, the permanent riders can apply to use their own personal racing numbers. They can choose any riding number with a maximum of 3 digits if it has not previously been allocated to another rider.

The number cannot start with a 0. To request a specific personal racing number, the rider must request it on the entry form within a set deadline. Should more than one rider request the same number, preference will be given to the rider who has a clear history of adopting that number. Other riders will then need to select an alternative number.

Riders who have not requested a specific personal riding number within the deadline will be required to use their allocated Flat Track number.

Wild card rider will be allocated numbers (#33 and 34 for the first round, #35 and 36 for the second round and so on) if no personal number is requested on the entry form within the set deadline.

Riding number plate - yellow background.

The shape of the number plate is free.

The number font is free of any design as long as the number is clearly readable.

The number plate must follow the below drawing:



Championship leader number plate - red background

The shape of the number plate is free.

The number font is free of any design as long as the number is clearly readable.

The number plate must follow the below drawing:



After each FIM Flat Track World Championship race meeting, there will be a championship intermediate classification based on each rider's results. It will be compulsory for the first ranked rider (first in the classification) to mount the red plate on their bike for the next event.

3.8 Permanent riders

Permanent places for the final series of race meetings will be confirmed by the FIM FT **WG** to the national federations requesting allocations.

3.9 Wild card riders

For a final race meeting, the FMNR is permitted to **propose wild card riders** approved by the FIM FT **WG**. The proposal must be email to the FIM not later than 1 month prior to the race meeting. The FIM FT **WG** can also nominate FIM wildcards per event. Any federation can request FIM wildcards for each round of the championship.

3.10 Nominated substitute rider

A rider appearing on the FIM FT **WG** list of nominated substitute riders for a final series. If an originally permanently nominated rider is unable to participate and the time allows, they will be replaced by the next rider from the list of nominated substitute riders of that discipline. A nominated substitute rider must take part in any race meeting into which they are promoted on the notification/instruction of the FT **WG**.

3.11 Signing on

All riders must sign on during the period stipulated in the SR. By signing-on, the rider enters the venue and accepts to be under the jurisdiction of all FIM regulations applicable to the race meeting. The signing on time will expire 30 minutes before the first international jury meeting. No rider or official can leave the race meeting without the authorisation of the international jury until the time limit for protests has elapsed.

When a rider has signed on, they are deemed to have entered the race meeting and is not allowed to take part in any other motorcycle race meeting until completion of the event.

3.12 Health and safety

In the best interests of health and safety, in the event any incident whatsoever occurring within the competition arena, under no circumstances is any member of a competitor's support team (mechanic, sponsor etc.) permitted to enter the arena without specific authority to do so having been given by the clerk of course or their appointed deputy. In circumstances where authority is given, activity should be limited to the safe recovery of a competitor's racing machine. There should be no interference with the activities of the CMO or medical support team under any circumstances unless in unusual circumstances assistance is specifically invited by the CMO.

3.13 Transponders

A transponder/decoder system will be the FIM timekeeping equipment and an auxiliary apparatus functioning automatically, synchronised with real-time and registering time.

A digital display panel linked directly to the timekeeping system shall indicate the time registered by the rider as they cross the finish line.

An apparatus functioning automatically and placed on the starting line will take the exact time of the passage of the riders of the starting line.

During the race meeting, the turning off of the green light will be the official start of the timing system. The completion of the race will automatically be determined once the first rider crosses the finish line.

In the event of a "result review", timings will be accessible to the referee and will determine the riders' positions.

Riders must accept any type of timekeeping system approved by the FIM, including transponders.

During the machine examinations, the transponders will be given to the rider, one per bike. The chief technical steward will refuse any machine that does not have a correctly positioned positive transponder attachment. The transponder must be fixed to the motorcycles used for the races in the position and orientation as shown in the timekeeping information given to the riders. The rider is the sole person responsible for the above-mentioned proceedings.

The loss of the transponder during the race meeting will result in a fine of 200 EUR.

The timing lines (transponder loops) will transmit on the start line and on the back straight (if any on the back straight).

If the timing system fails, the referee has the power to invalidate any session or results and revert to a manual alternative.

4. TRACKS

4.1 Standards

The track must comply with FIM Standards for Track Racing Circuits (STRC).

Tracks used for FIM Flat Track world championship will be homologated by the FIM.

5. MOTORCYCLES

Please refer to technical rules of this rulebook.

5.1 Artificial heating of tyres

The referee will immediately disqualify a rider whose motorcycle's rear tyre has been artificially warmed prior to the start of a heat. This includes the spinning of the rear wheel whilst in contact with the track or any other object. This does not apply to practice starts.

5.2 Number of motorcycles

Each rider will be allowed a maximum of 2 motorcycles in the pits during racing.

These two motorcycles must be placed in the riders' allocated pits' area immediately after the machine examination has taken place.

Motorcycles taken outside the controlled pits' enclosure or track area must be re-presented for inspection before they can again be placed in the allocated pits' area.

If needed, any extra motorcycle can be parked in the specially provided "standby" area, near to the pits.

6. PRACTICE

Every organiser must plan a practice session open to all entered riders, according to the provisions contained in this article.

Information about the date and time for practicing will be clearly stated in the SR. Weather conditions and accidents can dictate alterations to this procedure, which may only be decided by the international jury.

No machine or mechanic will be permitted on the infield during any practice run. For safety reasons, it is forbidden to make practice starts on the corners or on the starting straight.

Furthermore, mechanics and support crew must remain in vicinity of the pit and pit gate area during practice.

A competitor is considered having practiced having completed 2 laps during the official practice session.

The practice must be scheduled to start a minimum of 2 hours before the 1st heat. Each rider must make themselves ready in the lining-up zone, within the time limit of his group. On the order of the clerk of the course, riders will be allowed to enter the track.

Riders must practice according to practice schedule. However, the rider will miss that run if not ready.

Minimum 10 min break between groups' 1st and 2nd sessions.

Practice compulsory	Sessions	Start practice	MAX. RIDERS ON TRACK
YES	2 x 4 min.	NO	10

If the weather and the track conditions are good, the international jury can permit an additional practice session.

7. RACES

The international jury has the power to alter the figures below in the event of exceptional circumstances.

	Number of laps		
	Qualifying heats	Last chance	Final
Oval tracks up to 600m	8	5	12
Oval + 600m tracks	6	5	10
TT tracks	To be defined by the FT WG		

When the race meeting is run on oval tracks up to 600m: Qualifying heats 8 laps - last chance 5 laps - final 12 laps.

When the race meeting is run on +600m tracks: qualifying heats 6 laps - last chance 5 laps - final 10 laps.

When the race meeting is run on TT tracks: to be defined by the FT WG.

Number of riders		
Qualifying heats	Last chance	Final
8	10	12
To be defined by the FT WG for TT tracks		

7.1 Direction of racing

All heats are run in an anticlockwise direction.

7.2 Punctuality in starting

All heats must start at the time announced and riders must hold themselves ready for the start when called upon to do so by the appointed official.

When a race director is on duty, on their instruction, the referee must indicate the start of a 90 second period by means of a warning horn or bell audible in the pits area together with the

flashing amber lights.

Except when the referee (**or race director when on duty**) considers that there are valid reasons for delaying the start of an ensuing heat, the interval between the finish of one heat and the start of the next must not exceed 4 minutes including the 90 seconds period as mentioned above. Should any of the riders not be ready to start, they can be positioned in the penalty lane or disqualified at the sole discretion of the referee.

7.3 Delaying the start

A rider who fails to ride directly and without delay from the pits to the starting line, delays the start in any other manner can be disqualified from the heat at the sole discretion of the referee.

7.4 Starts

On the order of the pits' marshal (or after a signal in the pits), the required riders must leave the pits together and proceed under power immediately in an anticlockwise direction to the starting area where they must stop under the control of the starting marshal.

Engines must be kept running, machines parallel with the inner edge of the track and front wheels not more than 10 cm from each row starting line.

The referee, when satisfied that the riders are correctly positioned, must switch on the green light indicating that the start is imminent. After a pause long enough for the riders to fix their attention on the green light and are standing still, the referee must switch off the green light that permitted the start.

7.4.1 False starts

Any competitor who allows their motorcycle to move forward after the referee has switched on the green light must start again from the penalty lane.

7.4.2 Penalty lane

The penalty lane is positioned 15m back from the start/finish line and marked with a single line. A rider can be positioned in the penalty lane at the sole discretion of the referee.

The first penalised rider will start on the outside line of the track (closer to the fences if any). If more riders are intended to start from the penalty lane, they'll be positioned in the chronological order they have been penalised, starting from the outside to the inside line of the track.

7.5 Race stoppage

At the sole discretion of the referee, any competitor who causes a race to be stopped will either be disqualified from the re-run or if reinstated at the penalty lane.

The international jury has the power to alter the figures below in the event of exceptional circumstances and are TBC on TT tracks.

In the case of a race stoppage on oval tracks up to 600m:

Qualifying heats (8 laps):

- Less than 7 laps completed by all riders still under power, the whole heat must be rerun with the original starting positions.
- 7 laps completed by all riders still under power, result to stand based on the positions at the time of the stoppage.

Last chance (5 laps):

- Less than 2 laps completed by all riders still under power, the whole heat must be rerun with the original starting positions.
- Between 2 and 3 laps completed by all riders still under power, the remaining laps of the heat must be rerun based on the positions at the time of the stoppage. Riders need to queue from the starting line.

The rider who was in first position at the time of the stoppage must choose to start inside or outside and the other riders must queue behind with a minimum distance of 1 meter between each other.

The rider who has been penalised for the last race stoppage must start at the last position of the queue at 2 meters from the last rider.

If more than one rider has been penalised at the same time, they must start behind the last rider of the queue in the chronological order they've been penalised.

- 4 laps completed by all riders still under power, result to stand based on the positions at the time of the stoppage.

Final (12 laps):

- Less than 3 laps completed by all riders still under power: the whole heat must be rerun with the original starting positions.

- Between 3 and 9 laps completed by all riders still under power: the remaining laps of the heat must be rerun based on the positions at the time of the stoppage. Riders need to queue from the starting line.

The rider who was in first position at the time of the stoppage must choose to start inside or outside and the other riders must queue behind with a minimum distance of 1 meter between each other.

The rider who has been penalised for the last race stoppage must start at the last position of the queue at 2 meters from the last rider.

If more than one rider has been penalised at the same time, they must start behind the last rider of the queue in the chronological order they've been penalised.

- 10 laps completed by all riders still under power: result to stand based on the positions at the time of the stoppage.

In the case of a race stoppage on oval tracks + 600m:

Qualifying heats (6 laps):

- Less than 5 laps completed by all riders still under power, the whole heat must be rerun with the original starting positions.

- 5 laps completed by all riders still under power, result to stand based on the positions at the time of the stoppage.

Last chance (5 laps):

- Less than 2 laps completed by all riders still under power, the whole heat must be rerun with the original starting positions.

- Between 2 and 3 laps completed by all riders still under power, the remaining laps of the heat must be rerun based on the positions at the time of the stoppage, except for the penalised rider. Riders need to queue from the starting line.

The rider who was in first position at the time of the stoppage must choose to start inside or outside and the other riders must queue behind with a minimum distance of 1 meter between each other.

The rider who has been penalised for the last race stoppage must start at the last position of the queue at 2 meters from the last rider.

If more than one rider has been penalised at the same time, they must start behind the last rider of the queue in the chronological order they've been penalised.

- 4 laps completed by all riders still under power, result to stand based on the positions at the time of the stoppage.

Final (10 laps):

- Less than 2 laps completed by all riders still under power: the whole heat must be rerun with the original starting positions, except for the penalised rider.

- Between 2 and 8 laps completed by all riders still under power: the remaining laps of the heat must be rerun based on the positions at the time of the stoppage. Riders need to queue from the starting line.

The rider who was in first position at the time of the stoppage must choose to start inside or outside and the other riders must queue behind with a minimum distance of 1 meter between each other.

The rider who has been penalised for the last race stoppage must start at the last position of the queue at 2 meters from the last rider.

If more than one rider has been penalised at the same time, they must start behind the last rider of the queue in the chronological order they've been penalised.

- 9 laps completed by all riders still under power: result to stand based on the positions at the time of the stoppage.

7.6 Dangerous riding

The referee will immediately penalise any rider (or riders) whom he considers indulges in foul, unfair or dangerous riding.

A rider, who, having started in a heat does not make an honest attempt to ride to the best of their ability, as judged by the referee, will be guilty of an offence, which can entail disqualification from the heat or a penalty.

The penalty consists of the rider starting from the penalty lane if there is a re-run.

There will be no protest or appeal against a referee's decision to declare a heat completed or as to the referee's statement of foul, unfair or dangerous riding.

If, in the opinion of the referee, such conduct produces an advantage to the rider involved or affects the chances of one or more riders, the referee will stop the heat and order a re-run.

If any rider is unable to cross the finish line as a result of foul, unfair or dangerous riding on the part of another rider who, in consequence, has been disqualified, the disadvantaged rider will be deemed to have finished the heat in the placing held immediately before the foul, unfair or dangerous riding and allowing for any advancement in placing following the disqualification of the guilty rider.

A similar system will apply for a rider who, in the opinion of the referee, has deliberately laid down his machine or has left the course in the interest of safety.

7.7 Re-staging or abandonment of a race meeting

Format with 12 qualifying heats:

If the race is interrupted or suspended for any reason whatsoever, the following rules will apply:

- interrupted before heat 9 is accomplished and the remaining heats cannot be completed the same day, then the results are not taken into consideration and the whole race meeting must be re- staged in accordance with art. 1.4 - dates of the race meeting.

- interrupted before heat 12 is accomplished and the remaining heats cannot be completed, then the race points scored at the completion of heat 9 will determine the final race meeting classification and FT points.

- interrupted before the last chance is accomplished and the final cannot be completed, then the rider's total race points scored at the completion of heat 12 will determine the final race meeting classification.

In the event of a tie in the points scored at the completion of heat 9 or 12, the finishing order will be determined by the formula set out in art. 9.2.

- interrupted before the final is accomplished and the remaining races cannot be completed, then the riders 11th - 20th will have already been determined from the last chance heat. 1st - 10th and **21st - 22nd or 21st to 24th** will be determined by the intermediate classification after heat 12. (The same criteria is used for TT tracks depending on the jury's decision of the amount participants in the last chance heat and final).

Format with 16 qualifying heats

If the race is interrupted or suspended for any reason whatsoever, the following rules will apply:

- interrupted before heat 12 is accomplished and the remaining heats cannot be completed the same day, then the results are not taken into consideration and the whole race meeting must be re- staged in accordance with art. 1.4 - dates of the race meeting.

- interrupted before heat 16 is accomplished and the remaining heats cannot be completed, then

the race points scored at the completion of heat 12 will determine the final race meeting classification and FT points.

In the event of a tie in the points scored at the completion of heat 12 the finishing order will be determined by the formula set out in art. 9.2.

- interrupted before the last chance is accomplished and the remaining races cannot be completed, then the rider's total race points scored at the completion of heat 16 will determine the final race meeting classification.

- interrupted before the final is accomplished and the remaining races cannot be completed, then the riders 12th - 1st (or 8th - 1st depending on the format) will have already have been determined from the intermediate classification.

7.8 Faulty starting lights

If, because of faulty operation of the starting lights, or for any other reason, the referee considers a start to have been incorrect, the heat will be immediately stopped and order a restart with all riders competing.

7.9 Starting assistance

After the green light has been switched on (or other starting warning given), no outside assistance can be given to any rider.

If, at that time, a rider's machine is not moving under its own power, the rider concerned will start from the penalty lane.

7.10 Leaving the track

A rider whose machine crosses the inner edge of the track marking with 2 wheels must be disqualified unless, in the opinion of the referee, the action was taken in the interest of safety for other riders or the rider involved was forced off-course by another rider.

This rule also applies to the crossing of the marking of the outer edge of a track.

7.11 Time limit

No protest or appeal is permitted against this rule.

A rider must be considered as having retired from a heat if he has not started their last lap before the winner has crossed the finish line.

7.12 Finish of a heat

The finish of a heat shall occur in the case of any of the following circumstances.

a) when the front part of the front wheel of the motorcycle (whilst attached to the machine) passes over the finishing line after completing the appropriate number of laps provided the competitor is in contact with his motorcycle.

b) when the referee has awarded the heat as provided for in these regulations.

c) If the referee has cause to stop a heat after the leading rider has passed the start/finish line to commence the last lap, the disqualified rider will be awarded no points and any competitors behind the disqualified riders being advanced one place.

d) Where racing incidents etc. have reduced the riders available to take part in the rerun of any heat to a single competitor, the referee can award the appropriate number of points to the remaining competitor without the need for a further rerun.

7.13 False finish

When a heat has been indicated as finished by display of the black- and-white chequered flag before the required number of laps has been completed by the leading rider, the referee may declare the heat void and order a rerun except when the race has been awarded as allowed for. If the black-and-white chequered flag has not been shown after the completion of the required number of laps, the flag shall be considered to have been shown.

7.14 Rerun heat

If an accident on the track occurs and, in the opinion of the referee, it is dangerous for the heat to continue, he must stop the heat. Only the referee is empowered to order a heat to be stopped. Any rider who, for any reason, is deemed to have been the primary cause of the heat being stopped shall be disqualified or penalised.

The referee may permit any rider who has fallen because of having been fouled or because they have deliberately laid down their motorcycle or left the course in the interest of safety to take part in the rerun. In such cases any outside assistance may be ignored.

Any rider eligible to take part in a rerun can change their motorcycle for the rerun. When taking part in a rerun, riders must start from their original starting positions - except for the penalised rider(s).

Any rider who has failed to start in, has retired from (which includes not proceeding under power when the heat was stopped) or has been disqualified from a heat which has been ordered to be rerun, will be ineligible to take part in the rerun, except in circumstances where they have retired after being fouled or have stopped in the interest of safety as described above.

Withdrawal during an FIM race meeting

A rider entering an FIM event (from the signing on) must race in all the programmed heats and run off, semifinal or final (when applicable) unless prevented from doing so by injury or illness (certified by the race meeting doctor) or other "force majeure".

If the race meeting doctor declares the rider unfit, the rider cannot continue racing in that race meeting. The rider will also be banned for the period recommended to the international jury by the doctor of the race meeting. In this case, the rider must undergo a medical examination before the start of the next meeting.

A rider refusing to continue racing in an FIM race meeting will be deemed banned for **a minimum of 28 days after the race meeting concerned. The international jury will take this decision and** must in these cases, also consider any possible "force majeure". The FIM and the CCP main committee can also pronounce a fine between 10'000 and 100'000 euros.

When a rider withdraws and the withdrawal is accepted by the international jury, the rider is not allowed to re-enter that race meeting again.

The FIM and the CCP main committee can withdraw a rider's licence and impose a ban on a rider or a team that refuses to participate in a FIM championship to which they have been qualified or in which they have already been entered.

Once a rider or a team has been entered, no FMN, other body or person can withdraw that competitor/team from the competition without an authorisation from the FIM. Violations of this provision will be referred to the CAI.

The CCP will refer the case to the CAI pursuant to art.3.3.2, last paragraph of the FIM disciplinary code.

8. RESULTS

8.1 Calculation of results

Results are determined by points related to finishing order or in the last chance and the final (without points) are determined only related to finishing order and chronological order in case of riders not finishing the heat.

The winner of the heat is the rider who has completed the required number of laps in the shortest time. The riders following are placed according to the order of crossing the finish line.

Only the referee is entitled to determine the points or placing for each rider in each heat.

The referee's decision, once announced, is final and can not be the object of protest. Once the referee has declared a heat over and has announced the finishing order and respective points, in no case will that heat be re-run. (The only exceptions are being explained in false finish or rerun heat articles)

In very special circumstances however involving situations that are beyond the control of the referee and have influenced the heat result, the referee can take a decision to order a re-run of

the heat concerned or amend the result of the heat before the start of the next heat or within 5 minutes in the case of the last heat of the race meeting.

When two or more riders cross the finish line together and heat-points must be awarded, the combined points for the places must be shared equally between the riders concerned. A rider must be in physical contact with his machine when crossing the finishing line.

8.2 Riders' scores

6 riders/heat		7 riders/heat		8 riders/heat	
1 st place	7pts	1 st place	7pts	1 st place	7pts
2 nd place	6pts	2 nd place	6pts	2 nd place	6pts
3 rd place	5pts	3 rd place	5pts	3 rd place	5pts
4 th place	4pts	4 th place	4pts	4 th place	4pts
5 th place	3pts	5 th place	3pts	5 th place	3pts
6 th place	2pts	6 th place	2pts	6 th place	2pts
		7 th place	1pt	7 th place	1pt
				8 th place	0pt

The rider in the last position will score no points if overlapped by the leader of that race. For riders who have not completed the required number of laps or, for any other reason have not fulfilled a heat, the following will be noted in the programme:

M = disqualified for 90seconds rules
 R = retired from the race
 F = fall but not disqualified

T = disqualified for false start
 d = disqualified
 N = no start

9. RACE FORMAT

The race format can be adjusted to suit the number of riders in each race meeting, with the approval of the Flat Track **WG**. The points system will be adjusted accordingly.

Format for 22 riders:

	Heat 1	Heat 2	Heat 3	Heat 4	Heat 5	Heat 6	Heat 7	Heat 8	Heat 9	Heat 10	Heat 11	Heat 12	LC	FINAL
1														
2														
3														
4														
5														
6														
7														
8														
9														
10														
11														
12														
13														
14														
15														
16														
17														
18														
19														

20																	
21																	
22																	

Format for 24 riders:

	Heat 1	Heat 2	Heat 3	Heat 4	Heat 5	Heat 6	Heat 7	Heat 8	Heat 9	Heat 10	Heat 11	Heat 12	LC	FINAL
1														
2														
3														
4														
5														
6														
7														
8														
9														
10														
11														
12														
13														
14														
15														
16														
17														
18														
19														
20														
21														
22														
23														
24														

After heat 12, riders 1st to 10th will be qualified for the final heat. Riders 11th to 20th will be qualified for the last chance heat. Top 2 of the last chance heat will qualify for the final.

TT tracks: to be defined by the FT **WG**.

Rider's gate positions for last chance heat and the final heat will be chosen by the riders, in the order determined by their position in the intermediate classification.

In the last chance heat, the rider in 11th position in the intermediate classification after heat 12 will have first choice of gate position, followed consecutively by the riders in 12th to 20th positions.

In the final heat, the rider in 1st position in the intermediate classification after heat 12 will have first choice, followed consecutively by riders in 2nd to 10th positions and by riders in 1st and 2nd positions from the last chance heat.

Format for 28 riders:

	Heat 1	Heat 2	Heat 3	Heat 4	Heat 5	Heat 6	Heat 7	Heat 8	Heat 9	Heat 10	Heat 11	Heat 12	Heat 13	Heat 14	Heat 15	Heat 16	LC	Final
1																		
2																		
3																		

4																	
5																	
6																	
7																	
8																	
9																	
10																	
11																	
12																	
13																	
14																	
15																	
16																	
17																	
18																	
19																	
20																	
21																	
22																	
23																	
24																	
25																	
26																	
27																	
28																	

Format for 30 riders:

	Heat 1	Heat 2	Heat 3	Heat 4	Heat 5	Heat 6	Heat 7	Heat 8	Heat 9	Heat 10	Heat 11	Heat 12	Heat 13	Heat 14	Heat 15	Heat 16	LC	Final
1																		
2																		
3																		
4																		
5																		
6																		
7																		
8																		
9																		
10																		
11																		
12																		
13																		
14																		

15																		
16																		
17																		
18																		
19																		
20																		
21																		
22																		
23																		
24																		
25																		
26																		
27																		
28																		
29																		
30																		

Format for 32 riders:

	Heat 1	Heat 2	Heat 3	Heat 4	Heat 5	Heat 6	Heat 7	Heat 8	Heat 9	Heat 10	Heat 11	Heat 12	Heat 13	Heat 14	Heat 15	Heat 16	LC	Final
1																		
2																		
3																		
4																		
5																		
6																		
7																		
8																		
9																		
10																		
11																		
12																		
13																		
14																		
15																		
16																		
17																		
18																		
19																		
20																		
21																		
22																		
23																		
24																		
25																		
26																		

27																			
28																			
29																			
30																			
31																			
32																			

After heat 16:

Riders 1st to 10th will be qualified for the final heat (to be defined by the jury on TT tracks).

Riders 11th to 20th will be qualified for the last chance heat (to be defined by the jury on TT tracks):

Top 2 of the last chance heat will qualify for the final.

TT tracks: to be defined by the FT **WG**.

Rider's gate positions for last chance heat and the final heat will be chosen by the riders, in the order determined by their position in the intermediate classification.

In last chance heat, the rider in 11th position in the intermediate classification after heat 16 will have first choice of gate position, followed consecutively by the riders in 12th to 20th positions.

In the final heat, the rider in 1st position in the intermediate classification after heat 16 will have first choice, followed consecutively by riders in 2nd to 10th positions and by riders in 1st and 2nd positions from the last chance heat.

9.1 World championship points system

1st	25pts	1 st place in the final
2nd	22pts	2 nd place in the final
3rd	20pts	3 rd place in the final
4th	18pts	4 th place in the final
5th	16pts	5 th place in the final
6th	15pts	6 th place in the final
7th	14pts	7 th place in the final
8th	13pts	8 th place in the final
9th	12pts	9 th place in the final
10th	11pts	10 th place in the final
11th	10pts	11 th place in the final
12th	9pts	12 th place in the final
13th	8pts	3 rd place in the last chance

14th	7pts	4 th place in the last chance
15th	6pts	5 th place in the last chance
16th	5pts	6 th place in the last chance
17th	4pts	7 th place in the last chance
18th	3pts	8 th place in the last chance
19th	2pts	9 th place in the last chance
20th	1pt	10 th place in the last chance
21st	0pt	21 st place after last qualif. heat
22nd	0pt	22 nd place after last qualif. heat
23rd	0pt	23 rd place after last qualif. heat
24th	0pt	24 th place after last qualif. heat
25th	0pt	25 th place after last qualif. heat

The rider with the fastest lap during the final will get an extra championship point.

If 2 or more riders are tied on time, the second fastest time will be taken in consideration to determine the best placed rider. If the tie persists, the third fastest time will be taken in consideration.

If the timing system fails, the international jury has the power to invalidate the fastest lap results.

The FIM Flat Track world champion will be the rider having collected the most world championship points at the end of the final race meeting series.

For the FIM Manufacturers' world championship, only the highest-placed motorcycle of each manufacturer will gain points, according to its position in the final classification of the race meeting.

In case of ties for the FIM manufacturers' world championship, the same conditions as for the riders will apply to determine the winner of the manufacturer's championship and the ranking of the manufacturers tied in points.

Only FIM licenced manufacturers are listed on the starting list, the race meetings results, and the FIM Flat Track world championship for manufacturers classification.

1 st	25pts
2 nd	22pts
3 rd	20pts
4 th	18pts
5 th	16pts
6 th	15pts
7 th	14pts
8 th	13pts
9 th	12pts
10 th	11pts

9.2 Ties

After the completion of the qualifying heats

When establishing the order between the riders in the list of intermediate classification at the conclusion of qualifying heats, any ties will be solved as follows:

- Precedence will be given to the riders (tied on race points) having the better placings (a "0" for last placing is better than being disqualified for whatever reason).
- If the tie persists, precedence will be given to the better placed rider in the heat or heats where the 2 riders met.
- If the tie persists, precedence will be given according to each rider's fastest race time during the race meeting concerned.
- If the tie persists the order will be determined by FT ranking number.

The FT ranking number will be the order in which the rider is placed in the championship intermediate classification following the previous FT round.

For the first race meeting of the season, ranking will be determined by the official FT entry list published at the start of each season.

In the event of transponder/timing failure then clause c) could not be applied, clause d) will be applied.

The intermediate final series classification

In case of riders tied on Flat Track points in the intermediate classification, precedence will be given to the rider having the greatest amount of Flat Track 1st place results, followed by 2nd, 3rd, 4th and so on in the current season. If the tie still persists precedence will be given to the rider with the highest final classification at the last round of the current season.

The final overall classification

In case of riders involved in a tie on the final overall classification, at the end of the Flat Track series, the following will apply:

- Run-off for 1st place.
- For all other placings: Precedence will be given to the rider having the greatest amount of 1st place results, followed by 2nd, 3rd, 4th and so on in the current season. If the tie still persists precedence will be given to the rider with the highest final classification at the last round of the current Flat Track season.

9.3 Run-off heats

Oval tracks up to 600m: 5 laps.

+600m & TT tracks: to be defined by the FT **WG**.

In case one or more run-offs cannot be held because of force majeure, then precedence will be given to the riders (tied on points) according to points a), b) or c) of this article.

In all run-off heats concerning the ties, the starting positions at the gate will be balloted in presence of the jury president.

Starting area:

The starting area will be divided equally by the number of riders who are tied.

If two riders take part in the runoff, the front line starting area must be divided into two equal parts (outer and inner start positions) - If three riders take part in the runoff, the front line starting area must be divided into three equal parts and so on.

If more than six riders are tied on points, the front line starting area will be divided into six equal parts and the second line starting area will be divided into the number of equal parts needed.

Gate selection:

When establishing the order between the riders tied and the order of starting gate selection:

- a) **Precedence will be given to the riders (tied on race points) having the better placings (a "0" for last placing is better than being disqualified for whatever reason).**
- b) **If the tie persists, precedence will be given to the better placed rider in the heat or heats where the 2 riders met.**
- c) **If the tie persists, precedence will be given according to each rider's fastest race time during the race meeting concerned.**
- d) **If the tie persists the order will be determined by FT ranking number.**

The FT ranking number will be the order in which the rider is placed in the championship intermediate classification following the previous FT round.

For the first FT race meeting of the season, ranking will be determined by the official FT entry list published at the start of each season.

In the event of transponder/timing failure, then clause c) could not be applied, and clause d) will be applied.

9.4 Communication of results

The FIM can provide a pit stand with TV screen to replace the scoreboard. This will be confirmed by the FIM before the event to each organiser.

The jury president is responsible for organising the transmission of the results to the CCP coordinator (if no permanent jury secretary) within the hour that follows the approval of the results. The results will be uploaded on the Sportity channel, official noticeboard of the championship.

9.5 Alteration of results

No alteration to the list of results can be made after the expiry of the time limit, which is set for protests. This does not place any restriction on the right of protest according to the FIM disciplinary code.

9.6 Prize-giving ceremony

In all race meetings, after the official programme of heats is terminated, there will be a prize-giving ceremony.

The riders or teams placed first, second and third shall attend the official prize-giving ceremony. The presence of the FMNR or FIM officials at the prize-giving ceremony is not a confirmation of the official results.

Only the riders are permitted to stay on the podium during the ceremony.

The FIM protocol must be followed:

1st place

- Sovereign or Head of State or Prime Minister, a Minister or Secretary of State or the Governor of the Province or the Prefect or the Minister of the Province or their equivalents (in this precedence order).
- FIM President or representative (Board member, CCP director or jury president).
- FMNR President or representative.

2nd place

- Local promoter / organiser.

- FIM President or representative (Board member, CCP director or jury president).
- FMNR President or representative.

3rd place

- Title or main sponsor.
- FIM President or representative (Board member, CCP director or jury president).
- FMNR President or representative.

MEDALS

FIM President or representative (Board member, CCP director or jury president).

FIM anthem guidelines

For the first time in its one-hundred and twenty-year history, FIM has commissioned its own anthem.

This audio project marks the last chapter in the FIM's rebranding process that started beginning of 2024 with the launch of the new FIM logo and visual identity.

Seeing the logo and now hearing the FIM anthem will be an important part of recognising and identifying FIM events long into the future.

Please download the full guidelines and files [HERE](#). If you have any questions regarding this document, please contact the marketing department of the FIM at the following email address: marketing@fim.ch

The following board explains which song should be played at each step of the ceremony.

	Version of the song	Volume	Details	Timing
Step 1	FIM ANTHEM To the podium LOOP	Strong	This version is played while the riders are called on stage.	Max. 2 mins.
Step 2	FIM ANTHEM prize giving LOOP	Soft	While the riders receive their trophies/medals/flowers/etc., the loop is played until they received all their prizes.	Approx. 3 mins.
Step 3	National anthem*	Strong	After all the prizes, the National Anthem of the winner is played. The manufacturer anthem can be played after the national one.	Approx 1:30 min.
Step 4	FIM ANTHEM celebration	Strong	This song is played during the champagne celebration.	Max 1 min.
Step 5	FIM ANTHEM prize giving no drums	Soft	After the celebration, the speaker starts the closure speech.	Max 2 mins.

9.7 FIM Awards

FIM medals and diplomas are awarded to winners in accordance with the FIM sporting code.

10. ALCOHOL AND DOPING CONTROLS

Tests can be carried out at any FIM championships or international race meetings to detect alcohol and prohibited substances, according to the provisions laid down in the FIM anti-doping code.

Where alcohol controls are carried out at FIM championships or international race meetings, this must be done according to the FIM medical code.

Alcohol controls can be carried out by an alcohol control officer before the start of the practice, or at any time during the race meeting.

The sanctions for a positive doping and/or alcohol test will be pronounced according to the rules and proceedings laid down in the FIM anti-doping code, FIM medical code and FIM disciplinary code.

11. PROTESTS AND PENALTIES

Protests and appeals are subject to the rules and proceedings provided for in the FIM disciplinary code. Any protest must be lodged immediately after the reason for the protest is known. They must be in writing, stating the article numbers relevant to the protest, and accompanied by the fee

It must then be submitted to the clerk of the course who in turn will submit them to the international jury. No protest can be lodged against a referee or a technical steward's statement of facts.

If the protest requires a measurement of the capacity of an engine which proves to be in order, then the protesting party must pay the actual labour costs for dismantling and reassembling the engine, up to a maximum of 600€.

Any irregularity, error or fraudulent action on the part of the rider (and/or the machine concerned) that could influence on the result of a heat or the race would be followed by sanctions given by the referee (cancellation of the points or disqualification of the heat), by the technical steward (confiscation of equipment) or by the international jury (disqualification of the race meeting, disqualification of the championship).

Appeals: To be admissible, the notice of appeal against an international jury's decision must be sent by registered letter or special courier to the administration and postmarked within 5 days. The correct security deposit for appeal (1320€) must be paid in to the administration within the 5 days.

Within 10 days following the notice of appeal the appellant assigns to the administration a brief of appeal stating the facts.

If the CAI appeal was not lodged and/or the security deposit for appeal not paid in within the deadlines, the LJI director is entitled to declare inadmissible the appeal without hearing.

TECHNICAL RULES

Updates from 01.01.2026 are in bold

12.06.2026	Art.2 freedom of construction Art. 23 carburation system Art. 25 gear box
------------	--

INTRODUCTION

The term motorcycle covers all vehicles having, in principle, less than four wheels, propelled by an engine and designed essentially for the carriage of one or more persons of which one is the rider of the vehicle. The wheels must normally be in contact with the ground except momentarily or in certain exceptional circumstances.

1. EQUIPMENT AND PROTECTIVE CLOTHING DURING PRACTICE AND RACE

The FIM cannot be held liable for any injuries that a rider or passenger may sustain from the use of a specific item of equipment or protective clothing.

1.1 Clothing and protectors

In general, it is strongly recommended to use a one piece suit in kevlar or leather with a minimum thickness of 1.2 mm and additional leather padding or other protection on the principal contact points (elbows, shoulders, fore-arms, hips, knees, etc.).

If kevlar or leather suit is used, chest & back protectors are compulsory and can be incorporated within the suit or worn separately. It is strongly recommended to wear shoulder, elbow and knee protectors as well.

Sections of the leather suit not directly subject to 'crash' damage may use a small limited area or strip not made of leather.

It is permitted to use trousers and long-sleeve shirts (motocross clothing).

If motocross clothing is used, it is compulsory to wear chest and back protectors but also shoulders, elbows, hips and knees protections with a minimum approval standard according to the following levels. All protective devices must be clearly marked with the relative norms and comply with the following standard:

- EN 1621-1, level 2, for shoulders, elbows, hips and knees
- EN 1621-2, level 1 or 2, for the back: CB ("central back") or FB ("full back")
- EN 1621-3, level 1 or 2,

Undergarments, trousers and long-sleeve shirts made of textiles cannot be fully constituted of nylon or spandex (e.g. lycra, elastan), in order to avoid degradation in case of abrasion (friction).

1.2 Footwear

Footwear, in a good condition, made of leather or other materials having equivalent properties, shall be worn and have a minimum height of 30 cm.

1.3 Helmets

It is compulsory for all participants taking part in practice and races to wear a protective helmet. The helmet must be properly fastened, be of a good fit, and be in good condition. The helmet must have a chin strap type 'retention system'.

- A protective lower face cover must be present and must be not detachable, notmoveable.
- Helmets constructed with an outer shell made of more than one piece are not permitted (e.g. they must not contain any seam).
- A retention system with a strap and the double D ring closing system is recommended.
- All helmets must be marked with one of the official international standard marks mentioned below. Any FMN approval marks do not substitute the official international standard marks.
- A helmet is made to provide protection. It is not a platform to attach foreign objects.

HELMET OPERATIVE INSTRUCTIONS

All helmets must be intact, and no alteration must have been made to their construction. After an accident involving impact, the helmet must be presented to the technical steward for examination.

The chief technical steward and/or the technical steward may perform the following checks before the rider is permitted to take part in practice of the race: That the helmet fits well on the rider's head.

That it is not possible to slip the retention system over the chin, when fully fastened. That it is not possible to pull the helmet over the rider's head by pulling it from the back of the helmet. Helmets must conform to one of the recognised international standards:

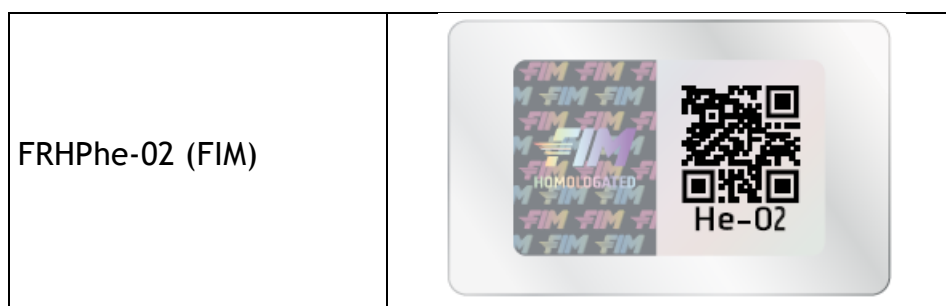
Only the FIM homologated helmets (with a valid FIM Homologation Label sewn on the chinstrap) will be allowed as following:

A list of FIM Homologated Off-road helmets is available on the following link:

https://www.frhp.org/p/public/Public_Circuit_Helmets_Homologated_Helmets_FRHPhe_02_Off_Road

FIM Homologated Circuit racing helmets are also allowed.

https://www.frhp.org/p/public/Public_Circuit_Helmets_Homologated_Helmets_FRHPhe_02



1.4 Gloves

Riders shall wear gloves made of leather or other materials having equivalent properties.

1.5 Goggles

Riders must wear face shield/goggles. The use of glasses, helmet visors and 'tear offs' or 'roll offs' are also permitted. The material used for glasses, goggles and visors must be made of shatter-proof material. Helmet visors must not be an integral part of the helmet. Eye protectors which cause visual disturbance (e.g. scratched) must not be used.

2. FREEDOM OF CONSTRUCTION

A motorcycle must conform to the requirements of the FIM regulations as well as to several specific conditions that the FIM may require for certain competitions. No restriction is placed on the make, construction or type of motorcycle used.

All solo motorcycles must be constructed in such a way that they are entirely controlled by a rider.

The use of titanium in the construction of the frame, the front forks, the handlebars, the swinging arms, the wheel- and swinging arm-spindles is forbidden. The use of light alloys for wheel spindles is also forbidden. The use of titanium alloy nuts and bolts is allowed.

Carbon fibre

The use of carbon fibre reinforced materials is authorised (with the exception of handlebars and wheel rims).

Ceramic materials

The use of ceramic parts is allowed for the following parts:

- Mechanical seal
- Spark plug
- Air fuel ratio sensor (Lambda)
- Throttle sensor assembly
- Bearing (ceramic non-OEM parts must be declared to the FIM Technical Director).

Other equipment

The use of data recording devices and automatic electronic ignition is authorised. No signal of any kind may pass between a moving motorcycle and any person, including radio and bluetooth communication. The exception is for the signal from the time keeping transponder, automatic lap timing devices or from the approved onboard cameras (with prior written approval from the FIM).

The use of sensors and control units for traction control and management is strictly prohibited.

The use of sensors and tone wheels to measure the speed of the front and rear wheels is strictly prohibited. If originally present they must be removed.

Number of cylinders

The number of cylinders in an engine is determined by the number of combustion chambers. If separate combustion spaces are used, they must be connected by an unrestricted passage of minimum cross-sectional area at least 50 % of the total inlet port area.

Onboard cameras

Cameras are NOT permitted on the rider's helmet.

Cameras can be allowed on the motorbike. They must be mounted in a safe way and approved by the FIM technical director at each event.

No camera mounting will be approved for a full season.

As the FIM holds the rights for this championship, any request to film or use images from this championship must be made in advance to ccp@fim.ch

If no request has been made in term of images rights, the camera use won't be allowed.

3. DEFINITION OF A FRAME OF A SOLO MOTORCYCLE

The structure or structures used to join any steering mechanism at the front of the machine to the engine/gear box unit and to all components of the rear suspension.

4. STARTING DEVICES

Starting devices for the engine are permitted.

5. FUEL TANKS

The fuel tank and fuel cap must always be leak proof. Fuel tanks shall only be filled in the paddock or pit lane.

Additional fuel tanks are allowed provided that:

- they are made by an approved company
 - they must be firmly fixed
 - hose connections must be leak-proof
- they must be protected against projections
- they are not placed **in front or** above the handlebar

Additional fuel tanks must be presented - already mounted - for inspection at the machine examinations.

6. OPEN TRANSMISSION GUARDS

A guard must be fitted to the countershaft sprocket.

If the primary transmission is exposed, it must be fitted with a guard as a safety measure. The guard must be designed so that rider or the passenger cannot under any circumstances come into accidental contact with the transmission parts. It must be designed to protect the rider from injuring his fingers.

A chain guard must be fitted in such a way to prevent trapping between the lower chain run and the final driven sprocket at the rear wheel.

6.01 SECONDARY TRANSMISSION CHAIN TENSION ADJUSTER

It is mandatory that the secondary chain adjuster ends with a ball, with a minimum diameter of 20 mm.

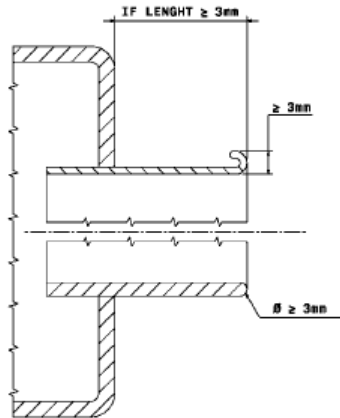
Bolts and screw are not allowed as a final part.

If the adjuster is incorporated in frame and there are no sharp edges, no additional protection is needed.

7. EXHAUST PIPES AND SILENCERS

Exhaust pipes and silencers must fulfil all the requirements concerning sound control

The axis of the silencer end must be parallel (tolerance 15°) to the two principal longitudinal planes of the vehicle. The extremity of the silencer must not pass the vertical tangent of the rear tyre. The edge of the silencer shall not be dangerous in case of accidental contact with the riders or helpers. If the final tube protrudes more than 3 mm, the edge must be rolled to an angle of 180° or radiused (see pictures below). In both cases, the edge thickness shall be 3 mm minimum.



Exhaust fumes must be discharged towards the rear but not in such a manner as to raise dust, foul the tyres or brakes, or any other rider.

8. HANDLEBARS

The width of handlebars must be not less than 600 mm and not more than 850 mm (see diagrams).

The handlebars must be equipped with a protection pad on the cross bar. Handlebars without a cross member must be equipped with a protection pad located in the middle of the handlebars, covering widely the handlebars clamps.

Handlebar clamps must be very carefully radiused and engineered to avoid any fracture points in the handlebar.

Exposed handlebar ends must be plugged with a solid material or rubber covered.

When hand protectors are used, these must be made of a shatter-resistant material and have a permanent opening for the hand.

Handlebars made of composite materials are not authorised. Repair by welding of light alloy handlebars is prohibited.

Solid stops (when on full-lock, other than steering dampers) must be fitted. These must ensure a minimum clearance of 30 mm between the handlebar with levers and the tank to prevent trapping the rider's fingers.

9. CONTROL LEVERS

All handlebar levers (clutch, brake, etc.) must be in principle ball ended (diameter of this ball to be at least 16 mm, see diagrams). This ball can also be flattened, but in any case the edges must be rounded (minimum thickness of this flattened part 14mm). These ends must be permanently fixed and form an integral part of the lever. If the gear lever consists of a tube, then its edge must be rounded. Each control lever (hand and foot levers) must be mounted on an independent pivot.

The brake lever if pivoted on the footrest axis must work under all circumstances, such as the footrest being bent or deformed.

Hand- and foot-controls may be modified for mobility challenged riders.

10. FOOTRESTS

Footrests must comply with all the following:

- fixed to the original mounting position on the frame provided by the manufacturer
- not lower than the frame or the lowest part of the engine
- footrest end must be rounded, at least 8mm radius
- no 'Speedway' or 'Long Track' type footrest is allowed

11. MUDGUARDS AND WHEEL PROTECTION

Motorcycles must be fitted with rounded mudguards. Mudguards must project laterally beyond the tyre on each side.

Mudguards must be made of flexible materials only (e.g. plastics).

12. STREAMLINING

No type of streamlining is allowed.

Radiator covers (shields) must be made of flexible materials only (e. g. plastics).

13. SUSPENSION

Electronically controlled suspension systems must not be used.

14. WHEELS, RIMS, TYRES

The front and rear rim size shall be 19 inches.

Any modification to the rim or spokes of an integral wheel (cast, moulded, riveted) as supplied by the manufacturer, or of a traditional detachable rim other than for spokes, valve or security bolts, is prohibited. The only exception made is for tyre retention screws, sometimes used to prevent tyre movement relative to the rim. If the rim is modified for these purposes, bolts, screws, etc., must be fitted.

The original (moulded) flat track tyre tread pattern cannot be cut or modified. Handcut tyres are not permitted. MX, Trial, Enduro and Track Racing type tyres are not permitted.

15. CAPACITY

The following engine capacities are allowed on the FIM Flat Track rounds:

- Two strokes: over 250cc up to 500cc, single cylinder engines
- Four strokes: over 250cc up to 450cc, single cylinder engines
- All engines must be connected to a properly fastened oil catch tank of 0.2 litres minimum capacity or have a closed breather system (engine breather system connected to the airbox).

Measurement of the capacity

Reciprocating movement engine, "Otto" cycle

The capacity of each engine cylinder is calculated by the geometric formula which gives the volume of a cylinder; the diameter is represented by the bore, and the height by the space swept by the piston from its highest to lowest point:

$$\text{Capacity} = \frac{D^2 \times 3.1416 \times C}{4} \quad \text{where } D = \text{bore and } C = \text{stroke}$$

When a cylinder bore is not circular, the cross-sectional area must be determined by a suitable geometrical method or calculation, then multiplied by the stroke to determine capacity. When measuring, a tolerance of 1/10 mm is permitted in the bore. If with this tolerance the capacity limit is exceeded for the class in question, a further measurement should be taken with the engine cold, to 1/100 mm limits.

Rotary engines

The capacity of an engine which determines the class in which the motorcycle shall compete in a race meeting shall be calculated by:

$$\text{Capacity} = \frac{2 \times V}{N} \quad \text{where } V = \text{total capacity of all the chambers comprising the engine and } N = \text{number of turns of the motor necessary to complete one cycle in a chamber classified as a 4-stroke.}$$

Wankel system

For Wankel system engines with a triangular piston, the capacity is given by the formula:

Capacity = 2 x V x D, where V = capacity of a single chamber and D = number of rotors.

This engine is classified as a 4-stroke.

16. SUPERCHARGING

Supercharging by means of a device of any kind is forbidden in all race meetings. An engine, whether 2-stroke or 4-stroke, coming within any one of the recognized classes (determined by the capacity of the working cylinder) shall not be considered as supercharged when, in respect of one engine cycle, the total capacity measured geometrically, of the fuel charging device or devices, including the capacity of the working cylinder (if used for injecting the fuel), does not exceed the maximum capacity of the class in question.

17. TELEMETRY

Information must not be transmitted in any way to or from a moving motorcycle.

An official signalling device may be required on the machine.

Automatic lap timing devices are not considered as "telemetry".

Automatic lap timing devices must not disrupt any official time keeping methods and equipment.

18. NUMBER PLATES

Number plates must be made of flexible materials only (e.g. plastic). Number plates are required as follows:

- One (1) front number plate, mounted on the top section of the front forks and the riders' riding number on the back of the rider
- Two (2) number plates, one (1) mounted on each side of the motorcycle behind the rider
- Number plate dimensions are: 25 cm x 30 cm (height x length) **minimum**.

One plate must be fixed to the front inclined not more than 30° towards the rear from the vertical plane. Holes can be perforated between the numbers on the numberplate. However, under no circumstances must the actual numbers be perforated. The following minimum dimensions must be respected on the front number plate:

- Height of the number 140 mm
- Width of each number 70 mm
- Width of the stroke 25 mm
- Space between two numbers 15 mm
- Space between the FIM logo and the number 10 mm

Riding number plate - yellow background.

The shape of the number plate is free.

The number font is free of any design as long as the number is clearly readable.

The number plate must follow the below drawing:



Championship leader number plate - red background

The shape of the number plate is free.

The number font is free of any design as long as the number is clearly readable.

The number plate must follow the below drawing:



After each FIM Flat Track World Championship race meeting, there will be a championship intermediate classification based on each rider's results. It will be compulsory for the first ranked rider (first in the classification) to mount the red plate on their bike for the next event.

19. NUMBER SASHES

Starting numbers to be worn on sashes (bibs) or printed on the riders' jersey must be conforming to the following:

The colour of the number must be in strong contrast with the colour of the background. The number may be outlined. The colour of the outlining must contrast with the background color as well as the number colour (ex: a white jersey with orange numbers could use a black outline). Distance between the numbers: 1.5 cm.

Height of number: minimum 20 cm.

Width of number: minimum 10 cm for one-digit numbers minimum 20 cm for two-digit numbers - minimum 25 cm for three-digit numbers.

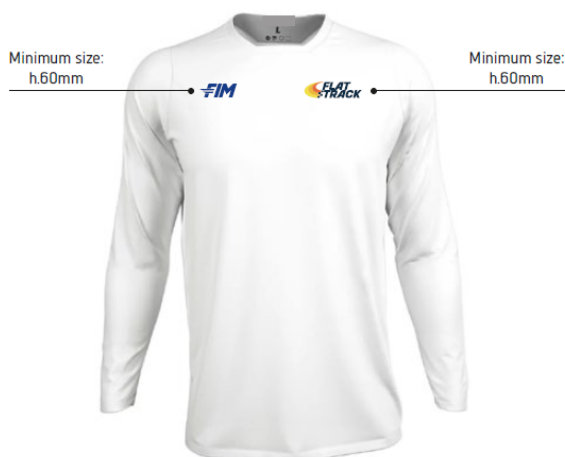
Width of stroke: 3 cm.

Minimum free space around the number without publicity: 5 cm.

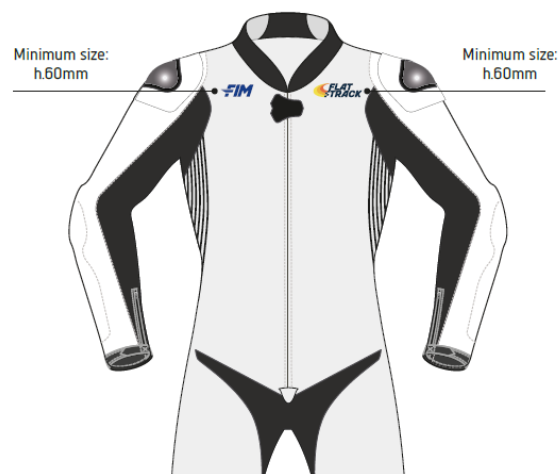
Starting numbers used by riders on number sashes or tee-shirts must follow the starting number of the race in question. Furthermore, the numbers must be worn during the practices as well as during the races.

FIM Flat Track world championship logo is compulsory on riders' jersey from 2026.

The FIM Flat Track logo will be displayed on the upper front torso or shoulder area of the jersey.



MX Jersey



Racing suit



MX Jersey



Racing suit

20. IGNITION CUT-OUT SWITCHES

Motorcycles must be equipped with a functional ignition kill switch or button mounted on either right or left side of handlebar (within reach of the hand while on the hand grips) that stops a running engine. The ignition cut-out switch may also be fitted on the handlebar, as close as practicable to the throttle.

The lanyard must be made of a non-elastic material and must remain attached to the wrist of the rider, mechanic or support team member always the motorcycle is under power, including, but not limited to, during warm up, in the pits, in the competition area or any public area. The

ignition cut-out must stop the engine immediately, by the simple action of pulling a lanyard or a non-elastic string (which must be as short as possible) attached to the rider's right wrist. All other engine management switches and electrical connectors must remain covered or closed during riding.

21. BRAKES

Front wheel brakes are only compulsory for TT race meetings.

In all other Flat Track classes of competition front brakes are prohibited and all components relating to the front brake must be removed. The rear wheel must have an efficient brake system. A safety device (pin or lock nut) should be installed on the brake pad fixture.

22. FUEL

All vehicles must be fuelled with

- unleaded gasoline (from public pump station or race type)

OR

- a mixture of unleaded gasolines

OR

- a mixture of unleaded gasoline(s) and lubricant in the case of 2-stroke engines.

The unleaded gasoline or the mixture of unleaded gasolines used must comply with the FIM specifications

The mixture of unleaded gasoline(s) and lubricant must comply with the FIM specifications. Riders/teams must declare to the FIM technical director (or the FMNR chief technical steward when there is no FIM technical director appointed) the make and type of gasoline to be used during practices and race(s), upon presentation of the rider/team's motorcycle(s) at the initial machine examinations. They are also recommended to provide a certificate issued by the gasoline company which certifies that the gasoline has been tested and is in conformity with FIM specifications.

Gasoline companies which supply 'race' gasolines (gasolines other than those obtained at public pump stations) to participating teams/riders must test their gasoline at Intertek Schlieren (Switzerland) against all the FIM specifications.

Providing the gasoline is within the FIM specifications, a certificate containing a test report and batch number will be issued to the fuel company. The gasoline company shall be able to provide a copy of such certificate to their client rider/teams before they take part in a race.

Contact for fuel analysis: fimfuels@intertek.com.

A list of gasolines which are in conformity with FIM specifications will be published by FIM on the FIM website.

Furthermore, in the cases in which only gasoline from the appointed supplier is permitted (for a specific event or the entire World championship, prize or cup), the aforementioned gasoline shall have been previously tested in a FIM appointed laboratory in order to test its conformity with the FIM specifications:

- in case of conformity, a certificate of conformity (including test report and tested batch number) shall be available and art. 01.63 applies in case of controls for the riders/teams;
- in case the conformity is not achieved, the FMN of the organizing country/the organiser shall ask the FIM for a waiver to enable the use of gasoline not corresponding to FIM specifications. If the waiver is granted, the riders/teams will be responsible for using the gasoline provided without changing its composition. Controls may be carried out by FIM.

FIM specifications for unleaded gasolines or mixtures of unleaded gasolines.

The following specifications are set for unleaded gasoline or the mixture of unleaded gasolines:

The following properties shall be within the following thresholds (for each property, the relative test methods to be used for the measurement are indicated):

Property	Units	Min.*	Max.*	Test Method
RON		95.0	102.0	EN ISO 5164 or ASTM D2699
MON		85.0	90.0	EN ISO 5163 or ASTM D2700
Oxygen (includes 10% ethanol allowance)	% (m/m)		3.7	EN ISO 22854 ¹ or EN 13132 or elemental analysis
Nitrogen	% (m/m)		0.2	ASTM D 4629 ² or ASTM 5762
Benzene	% (V/V)		1.0	EN ISO 22854 or ASTM D6839 or ASTM D5580
Vapour pressure (DVPE)	kPa		100.0	EN 13016-1 or ASTM D5191
Lead	mg/L		5.0	ICP-OES or AAS
Manganese	mg/L		2.0	ICP-OES or AAS
Density at 15°C	kg/m ³	720.0	785.0	EN ISO 12185 or ASTM D4052
Oxidation stability	minutes	360		EN ISO 7536 or ASTM D525
Sulphur	mg/kg		10.0	EN ISO 20846 or ASTM D5453
<u>Distillation:</u>				EN ISO 3405 or
				ASTM D86
E at 70°C	% (V/V)	20.0	52.0	
E at 100°C	% (V/V)	46.0	72.0	
E at 150°C	% (V/V)	75.0		
Final Boiling Point	°C		210	
Residue	% (V/V)		2.0	
Appearance	clear, bright and visually free from solid matter and undissolved water			Visual inspection
Olefins	% (V/V)		18.0	EN ISO 22854 or ASTM D6839
Aromatics	% (V/V)		35.0	EN ISO 22854 or ASTM D6839
Total diolefins	% (m/m)		1.0	GC-MS or HPLC
<u>Oxygenates:</u>				EN ISO 22854 ¹ or EN 13132
Methanol	% (V/V)		3.0	The only oxygenates permitted are paraffinic mono-alcohols and paraffinic mono-ethers (of 5 or more carbon atoms per molecule) with a final boiling point below 210°C.
Ethanol	% (V/V)		10.0	
Isopropanol	% (V/V)		12.0	
Isobutanol	% (V/V)		15.0	
<i>tert</i> -Butanol	% (V/V)		15.0	
Ethers (C5 or higher)	% (V/V)		22.0	
Others	% (V/V)		15.0	

2 In cases of dispute ASTM D 4629 will be the reference method.

- All reported min. and max. thresholds do not include the tolerance, which needs to be calculated in accordance with ISO 4259 and considered to correct the min. and max. thresholds.
- The total of individual hydrocarbon components presents at concentrations of less than 5% (m/m) must constitute at least 30% (m/m) of the fuel. The test method will be GC-FID (gas chromatography-flame ionisation detector) and/or GC-MS (gas chromatography-mass spectrometry).
- The total concentration of naphthenes, olefins and aromatics classified by carbon number must not exceed the values given in the following table:

% (m/m)	C4	C5	C6	C7	C8	C9+
Naphthenes	0	5	10	10	10	10
Olefins	5	20	20	15	10	10
Aromatics	-	-	1.2	35	35	30

Bicyclic and polycyclic olefins are not permitted. The fuel must contain no substances which are capable of exothermic reaction in absence of external oxygen.

FIM specifications for mixtures of unleaded gasoline(s) and lubricant

The lubricant:

- must not change the composition of the gasoline fraction when added to the gasoline;
- must not contain any nitro-compounds, peroxides or any other engine power boosting additives;
- must in no way contribute to an improvement in overall performance;
- during the distillation up to 250°C, must not show a reduction in mass by evaporation of more than 10% (m/m) (test method: simulated distillation GC);
- must contain a max. content of anti-knock agents (lead, manganese, iron) of 10 mg/Kg (test method: ICP-OES).

Moreover, the following specifications are set for the mixture of unleaded gasoline(s) and lubricant:

The following properties shall be within the following thresholds (for each property, the relative test methods to be used for the measurement are indicated):

Property	Unit	Min.	Max.	Test Method
RON			102.0*	EN ISO 5164 or ASTM D2699
MON			90.0*	EN ISO 5163 or ASTM D2700
Density at 15°C	kg/m ³	690**	815**	EN ISO 12185 or ASTM D4052

*Reported min. and max. thresholds do not include the tolerance, which needs to be calculated in accordance with ISO 4259 and taken into account to correct the min. and max. thresholds.

** Min. and max. thresholds do include the tolerance.

Air

Only ambient air may be mixed with the fuel as an oxidant.

Sampling and Testing

The FIM may require gasoline controls, i.e. controls of the unleaded gasoline, mixture of unleaded gasolines or mixture of unleaded gasoline and lubricant, used by riders/teams at events. These controls involve an initial sampling at the event and further testing in the FIM appointed laboratory.

Sampling

- 1) The FIM technical director (or the FMNR chief technical Steward when there is no FIM technical director appointed) is the sole official responsible for the sampling management and supervision.
- 2) Riders/teams selected for gasoline controls are directed to proceed with their vehicles to the area that has been designated for this purpose.
- 3) The FIM technical director /FMNR chief technical steward collects the gasoline from the motorcycle by using only new sample containers and pipettes/hand pumps. The gasoline is transferred using the pipette/hand pump directly from the gasoline tank into three containers, denominated A, B and C. The containers are closed and sealed by the FIM technical director/FMNR chief technical steward.
- 4) The FIM technical director /FMNR chief technical steward fills in (in all its parts) and signs the gasoline sample declaration form (see 63.04.03). The rider or a team representative also signs this form, after verifying that all the information is correct.
- 5) The FIM technical director/FMNR chief technical steward prepares an appropriate shipping box containing the collected A, B and C samples and a copy of the respective, signed, gasoline sample declaration form. The box is then shipped to the FIM appointed laboratory by registered courier.

Testing

- 1) One or more properties to be checked (following the relevant testing method) are set by the FIM for each selected rider/team. 2). Sample A is the first sample to be tested by the FIM appointed laboratory.
- 3) Sample B can be used for a second analysis if required by the FIM. The test result of the A or B sample more favourable to the rider/team is considered. Costs for the shipping and testing of sample A and B are paid by FIM.
- 4) As soon as possible after completing the testing, the FIM appointed laboratory reports the test results directly to the responsible CTI coordinator.

5) For negative cases (i.e. conformity of the tested property(ies) with the specification), the riders/teams concerned will be individually informed by the FIM in due course, copying the rider/team's FMN, the FIM technical director/FMNR chief technical steward, the competent authority (e.g. international jury), the CTI director, the director and coordinator(s) of the sporting commission concerned.

6) Only for positive cases following testing of sample A or B or A and B (i.e. nonconformity of one or more properties*), the responsible CTI coordinator notifies by electronic mail* the rider/team concerned (including the testing results) and, 24 hours after, forwards the relevant information to the rider/team's FMN, the FIM technical director/FMNR chief technical steward, the competent authority (e.g. race direction, international jury), the CTI director, the director and coordinator(s) of the sporting commission (s) concerned. *Note: The non-conformity of one property (except the Appearance) is enough for declaring non-conformity of the gasoline or the mixture.

If the rider/team wishes to request a counter-expertise, he must notify the responsible CTI coordinator by electronic mail* accordingly, within 72 hours of receipt by the FIM of the delivery status notification pertaining to the notification of the test results to the rider/team.

- If a counter-expertise is requested, the sample dedicated to the counterexpertise is sample C and the test shall aim at checking the same property(ies) previously checked on sample A/B. The rider/team can request that sample C be tested at one of the available FIM appointed laboratories. Costs for shipping and testing of sample C are paid by the rider/team concerned.

Upon notification of the sample C results, the responsible CTI coordinator notifies by electronic mail* the rider/team concerned (including the testing results) and forwards the relevant information to the rider/team's FMN, the FIM technical director/FMNR Chief technical steward, the competent authority (e.g. race direction, international jury), the CTI director, the director and coordinator(s) of the sporting Commission concerned.

- If no counter-expertise is requested within the time limit, the responsible CTI coordinator forwards the relevant information by electronic mail* the rider/team's FMN, the FIM technical director/FMNR Chief technical steward), the competent authority (e.g. race direction, international jury), the CTI director, director and coordinator(s) of the sporting commission concerned.

8) The competent authority of the event concerned (e.g. race direction, international jury) takes a decision based on the information received. The coordinator of the sporting commission concerned notifies the rider/team concerned regarding the decision by electronic mail*.

The non-conformity of the

- A sample (in the cases B sample was not used) or
- B sample (in the cases A sample result was not conclusive) or
- A and B samples or
- A and B and C samples (in the cases B sample was used and a counterexpertise was requested) or
- A and C samples (in the cases B sample was not used and a counterexpertise was requested),
- automatically results in the disqualification of the rider/team from the entire event.

No disqualification will be applied in case of conformity of sample C. Furthermore, in any case, other penalties may be applied.

The rider/team has the right to appeal against the decision of competent authority of the event concerned (e.g international jury) in accordance with FIM disciplinary code applicable to the relevant discipline.

*The receipt of a delivery status notification will be deemed as proof of delivery.

23. CARBURATION SYSTEMS

Any fuel injection system or carburetion is permitted. The ECU may be modified or replaced with an aftermarket model only with the purpose of changing fuel mapping and ignition settings. Wiring harness, spark plugs, plug wires and spark plug caps may be replaced.

The use of the following sensor is allowed only and exclusively:

- **Tps**
- **Pick up**
- **Injection**
- **Water temperature**

24. ENGINE AND THROTTLE CONTROLS

Only the engine stops (cut-out switch) may be fitted on the handlebar. The engine stop switch (connected through a lanyard to the riders' wrist) must be fitted to the ignition system of the machine.

All other engine management switches and electrical connectors must remain covered or closed during the competition.

25. GEAR BOX

The gear box itself must be fully integrated with the engine. A separate gear is not permitted. Only foot operated gearbox changes are permitted.

The use of the gear position sensor is allowed.

BADGE OF THE FIM

Under certain circumstances the FIM may permit the use of the FIM badge on certain equipment to show that the latter conforms to the standards laid down by the FIM. When this authorisation is granted and provided the equipment on which it appears is in good condition, the badge is then the guarantee of the conformity with the standard set by the FIM.

26. MACHINE EXAMINATIONS

Prior to any practice or racing all motorcycles will be checked to ensure the compliance with the technical rules.

All motorcycles entered in the event must comply with these regulations and the supplementary regulations, whether the intention is to use the motorcycle or not. Any rider not complying with the regulations will be disqualified from the race and his motorcycles removed from the pits.

- Before the start of the competition, a closed and guarded area (closed parc/parc-fermé) shall be prepared.
- Inspection must take place under cover with a large enough area.
- Inspection area must be supplied with the necessary equipment, including tables, chairs, electric light and power outlet.

The necessary tools are listed below:

Revolution meter

Sound meter, calibrator and spare batteries

Slide calliper (for verifying engine capacity, carburettor diameter, etc.)

Depth gauge

Steel measuring tape

Seals

Tools for measuring the engine capacity

Lampoil tester is recommended and when used, it indicates the cylinder capacity. When a more precise measurement is required, the chief technical steward may ask to take the cylinder head off the cylinder.

Colour for marking parts

Heat resistant stickers or paint for marking the silencer (and solvent)

Magnet

Adequate fuel sample bottles

PC with CD drive + updated operating system

Printer, etc. are recommended

Calculator

The necessary documents are listed below:

Supplementary regulations

FIM technical rules - current year

FIM rules of the discipline concerned

FIM sporting code

Homologation papers (if applicable)

Writing material

Technical verifications forms

All necessary measures and administrative equipment should be in place at least 1/2 hour before the start of the machine examinations is due to open (time in supplementary regulations).

The machine examinations before the official practice should last at least 30 min, before the race at least one hour, after the race last at least 30 min.

The machine examinations must be carried out in conformity with the procedure and times fixed in the CCP rules and the supplementary regulations of the event.

- The sound control must be carried out first. The sound level will be recorded in the technical card. The exhaust silencer will be marked with paint or sticker.

An overall inspection of the motorcycle must be carried out in conformity with the FIM rules. Accepted motorcycles will be marked with paint or a sticker.

- The machine examinations will be recorded on the machine examinations form.

- During the event, the technical steward must control all machines and equipment. This control must be made before the machines enter onto the track.

- As soon as a rider has finished all his heats, all used machines must be immediately placed in a closed park where they must remain for 30 minutes, in case of a protest or should further examination be required.

- Competitors must retrieve their machines within 30 minutes after the opening of the closed park area, except for the machines which are chosen for disassembly. After this time limit, the closed park officials will no longer be responsible for the machines left behind.

- If required, a sound level control may be carried out before the machines are placed in the closed park.

- For the machine examinations taking place after the race, it shall be ensured that the selected machines used during the race go directly to the parc fermé.

FMNR chief technical steward and technical stewards

- The chief technical steward must attend an event one hour before the machine examinations are due to begin. He must inform the clerk of the course and FIM technical director, if present, of his arrival.

- The chief technical steward must ensure that all technical stewards appointed for the event carry out their duties in a proper manner. The chief technical steward shall appoint the technical stewards to individual posts for the race, practices and final control.

- Scrutineers can have different tasks, but the team of scrutineers must have a minimum of three persons. The FMNR chief technical steward must be a holder of an FIM SENIOR technical stewards Licence and it is recommended that at least one technical steward hold a FIM technical stewards Licence.

A minimum number of scrutineers is required according to the following:

- Checking of documentation: one

- Sound test, silencer marking: two

- Machine inspection, helmet and clothing: two

- The sound control officer (SCO) must be holder of a valid FIM technical steward's license, come with good knowledge and experience of the sound control and application of the test method. The FMNR may propose the services from a special technician (acoustic engineer) if there is no FIM licenced technical steward available to act as SCO.

- The technical steward must fill in the technical card which must be signed by the rider.

- If a motorcycle is involved in an accident, the technical steward must check the machine to ensure that no defect of a serious nature has occurred.

- If the helmet is clearly defective, the technical steward must retain it. The organiser must send this helmet, together with the accident and medical report (and pictures and video, if available) to the federation of the rider. If there are head injuries stated in the medical report, the helmet then must be sent to a neutral institute for examination.

- The chief technical steward has the right to look/ inspect any part of the motorcycle at any time of the event.

- All technical stewards shall be well informed and shall make sure their FMN has supplied them with all technical "updates" that may have been issued after the printing of the technical rulebooks.

Rider and/or mechanic

- The rider and/or the mechanic and/or team manager must attend at least once the machine examinations with the (rider's) machine within the time limits stated in the supplementary regulations.
- On request of the technical steward, the rider must present themselves to the machine examinations.

The maximum number of persons present at the machine examinations will be the rider and/or the mechanic and/or team manager.

- A rider remains at all times responsible that his machine and his personal protective gear are in conformity with the FIM technical rules for Track Racing motorcycles.
- The rider and/or the mechanic and/or the team manager must present a clean motorcycle in conformity to the FIM rules.
- The rider is permitted to use whichever motorcycle he chooses from the accepted motorcycles. He may also use the motorcycle of another rider.

The rider and/or the mechanic and/or the team manager must present the rider's protective wear (equipment), e.g. helmet and bib with prescribed starting number.

- Any rider failing to report as required by the provisions below may be excluded from the race meeting.
- The clerk of the course may prohibit any person who does not comply with the rules, or any rider who could be a danger to other participants or to spectators, from taking part in the competitions.

27. DANGEROUS MACHINES

If, during practice or the race, a technical steward finds that a machine is defective and might constitute a danger to other riders, he must immediately notify the clerk of the course or his deputy. It is their duty to exclude such a machine either from the practice or from the race itself.

28. SOUND LEVEL CONTROL

NOTES:

- EPVs (group J) are exempted from sound level control.
- For the first World championship event, all competitors' machines will be checked for sound level. After the first event, the machine of a 'wild card-' or 'one event' rider will be checked for the sound level, as well as any other rider's machine on a random basis.
- Excessively loud machines must always be checked, regardless of the participants' status.

To pursue the measures taken to reduce the sound level in favour of environment and in the framework of the 'RIDE QUIET' campaign, a new method for measuring the sound level called "2 metre max" is applied as from 2013 in all 'allterrain' disciplines.

The technical specifications and the resources to apply such a method, for the use of the technical stewards and officials, are outlined in the present article.

The "2 metre max" method shows a very good correlation between the sound power level (LWA) issued by motorcycles in full acceleration, and the maximum sound pressure levels measured at proximity of the same motorcycles, with engines at idle and quickly taken to their maximum rotational speeds.

The "2 metre max" method will consist in quantifying not only the sound level produced by the silencer of the exhaust, but the maximum global sound level achieved by the motorcycle when the engine rpms are raised to the maximum engine speed, limited by a natural regulation (for 2 strokes) or rev limiters (for 4 strokes). Only the sound levels measured with the "2-meter max" method will be considered by the technical stewards and by the race direction/jury of the event to decide whether the motorcycle is in conformity with the maximum sound levels authorised.

Preparation of the sound meter

For all FIM championships and prices, all sound meters must have a frequency response according to IEC61672 section 11 within a limit of plus or minus 2 dBA from 125 to 8000 Hz at 94, 104 and 114 dBA.

Sound level measuring equipment must also include:

- a compatible calibrator, which must be used immediately before testing begins and always just prior to a re-test if a disciplinary sanction may be imposed;
- a tachometer.

Two sets of equipment must be available in case of failure of tachometer, sound level meter or calibrator during technical control.

The sound meter shall be prepared by applying the following procedure:

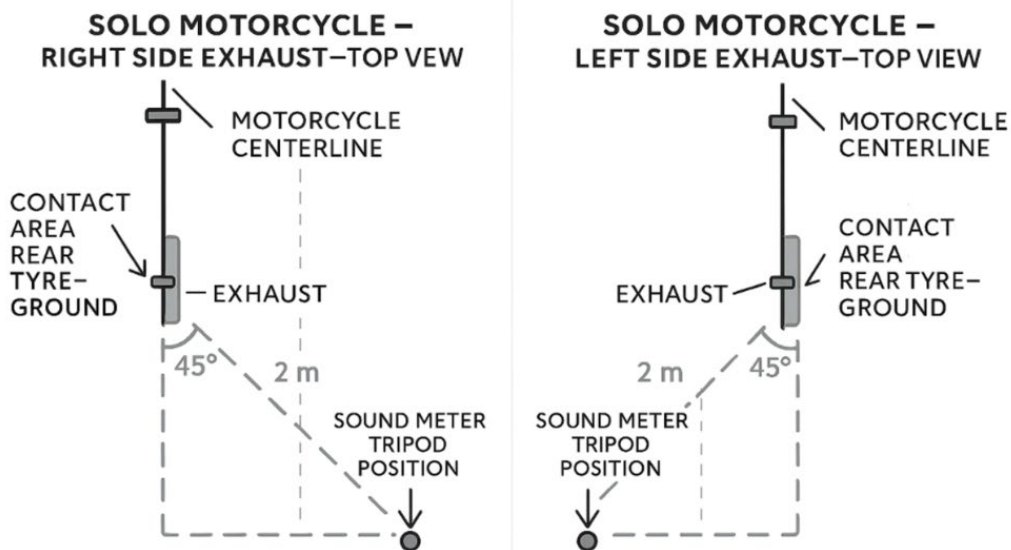
- Activate the 'A' weighing
- FAST time weighting must be activated
- Select the highest range available (ex. 80~130 dB)
- Calibrate the sound meter according to the instructions, considering the incidence of the wind foam ball
- Position the wind foam ball on the microphone
- Activate the function MAX MIN – set on MAX

Set up of the sound meter and the motorcycle

The sound levels will be measured with the microphone fixed on a tripod at a height of 1.35 m above the ground, in horizontal (levelled) position. It is helpful to have the microphone equipped with an extension cable to the sound meter.

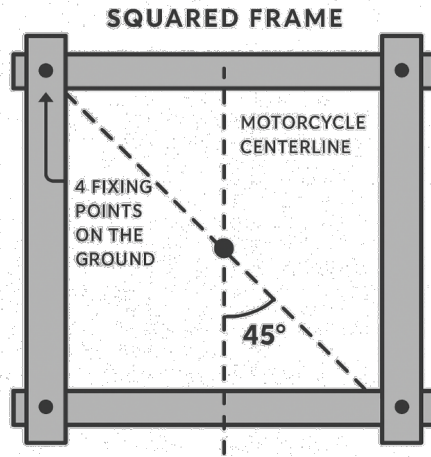
For the place and position of the vehicle, ensure that there are no solid obstacles within 10 m around the microphone.

Depending on the vehicle, the sound meter will be positioned - for Solo motorcycles at an angle of 45° from the longitudinal axis of the vehicle, on the exhaust side, at 2 m behind the vehicle (measured from the point where the centre of rear tyre touches the ground) for solo motorcycles with 2 exhaust outputs: at an angle of 45° from the longitudinal axis of the vehicle, on the side of the air intake, at a distance of 2 m behind the vehicle (measured from the point where the centre of rear tyre touches the ground). Note: if a central positioned air intake is used, both sides will be tested.



Silencers fitted with adapters aiming to reduce the sound level shall be permanently fitted.

To make repetitive measurements, all motorcycles can be positioned into a small frame fixed on the ground, making sure to respect the 45° requirements. A squared frame helps the positioning of the motorcycle



Vehicles which are not equipped with a gear box neutral must be placed on a stand. It is preferred to make the tests on soft ground, not reverberating, i.e. grass or fine gravel. In other than moderate wind, machines should face forward against the wind direction. The ambient sound at the point of measurement must be minimum 15 dBA less than the lowest FIM sound limit applied in each discipline. It is recommended to regularly re-calibrate the sound meter during the test day.

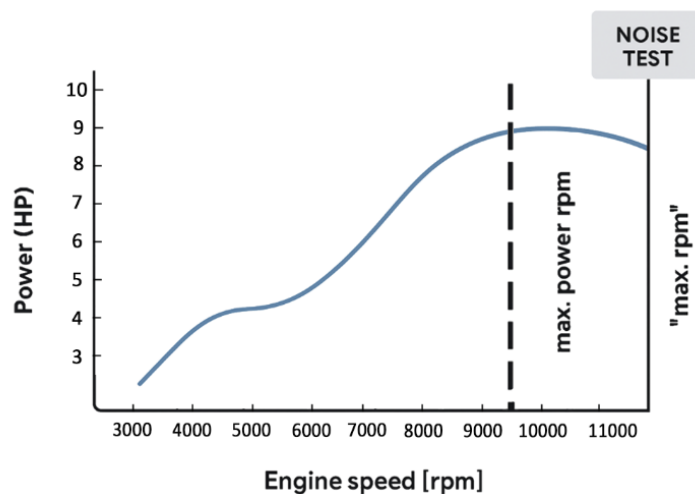
The test procedure

A technical steward (nominated as sound control officer, "SCO", see 77.03) takes place next to the vehicle, opposite to the sound meter/microphone, in order not to screen or stand between the bike and the microphone.

The sound control officer (SCO) must have arrived in enough time for discussions with the clerk of the course and other technical officials in order that a suitable test site and testing procedure can be agreed. A second technical steward can be present to help. The rider can also be present. It is strongly advised that the technical steward(s) use earplugs, a headset or ear protectors.

The measurement is made with motorcycle on its wheels, with a hot engine. During the sound test, only the rider may sit on the vehicle in the normal riding position. A rider or a mechanic, placed on the left side of the motorcycle, shall disengage the clutch.

The SCO (and not others) shall open the throttle as fast as possible (instantly, within 0.3 s) until "full open throttle", to reach the maximum rpm value ("max. rpm"). When in doubt, it can be verified that such "max. rpm" value is higher than the rpm value at which the vehicle supplies its maximum power (kW) ("max. power rpm").



To conclude the test, the SCO releases the throttle quickly. The maximum noise value (dB/A) registered during the measurement interval is then read on the sound meter and recorded. This noise value shall not be rounded down to the nearest whole number.

The noise value is then compared with the sound limits. The noise test can be "PASSED" or "NOT PASSED":

- "PASSED": The sound test is considered "passed" if the recorded noise value is below or equal to the sound limits. The silencer can then be marked by the SCO at the end of the test. The silencer shall not be changed after verification, except for the spare silencer that has also been checked and marked. The end opening of the silencer shall remain unmodified once it has been checked and marked.

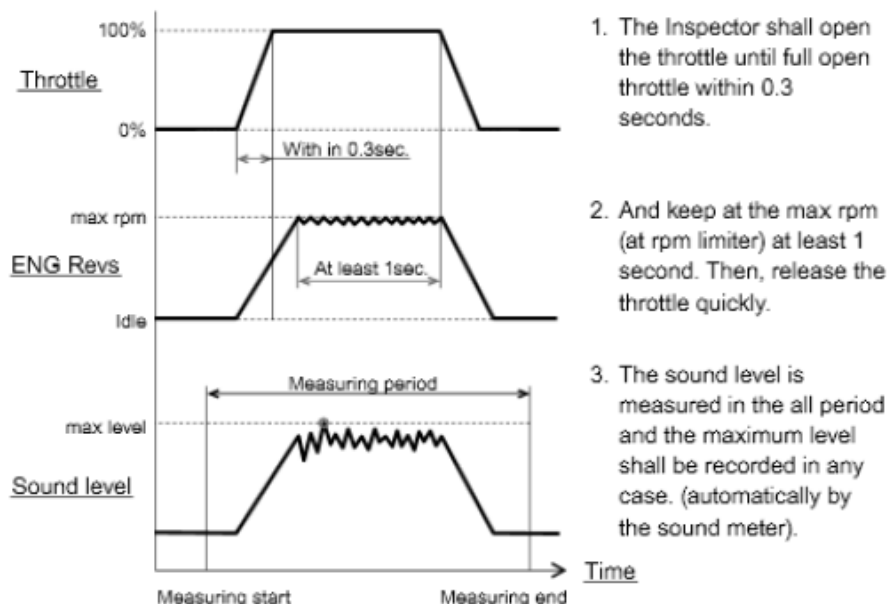
- "NOT PASSED": The sound test is considered "not passed" if the recorded noise value is above the sound limits. In this case, the vehicle (with the same silencer) can be presented again, but for two more tests maximum. If the third test result is negative, the rider:

- can present a different or repaired silencer (in case the sound test was done, before the race)
- will receive a penalty (in case the sound test was done during or after the race).

The sound meter is then reset by pushing on the sideline and armed by pushing on the sideline again.

Notes:

- If the engine starts to misfire, close the throttle slightly and re-open the throttle.
- If detonations appear, the measurement must be started again.
- For vehicles without an engine rev. limiter, the throttle will have to be opened not more than 2 s or until there is an audible sign of over-revving the engine.
- Even in case a vehicle has not exceeded the respective sound limit, if there is any doubt, the vehicle may be checked again.
- If the vehicle is unable to reach the "max. power rpm" value, the vehicle shall be refused. Any attempt by a participant to prevent his engine from reaching the "max. power rpm" will be considered a breach of the rules.
- In case the SCO doubts that the "max. power rpm" value (as declared by the manufacturers or previously obtained with the dyno test), he/she shall measure the engine speed with a tachometer connected to the spark.



Sound limits: 114.0 dB/A before the race and 115.0 after the race. **Exhaust pipes and silencers must fulfil all the requirements concerning sound control (please refer to the latest FIM Sound Regulations) available hereunder :**

<https://www.fim-moto.com/en/documents/view/2026-0-fim-sound-regulations-08122025>

NOTES:

- The values that must be respected after the race take into account the degradation of the silencer (i.e. the limit is raised of 1 dB/A).
- The values already consider the accuracy of the method.
- No deductions for ambient temperature, pressure or altitude are allowed.

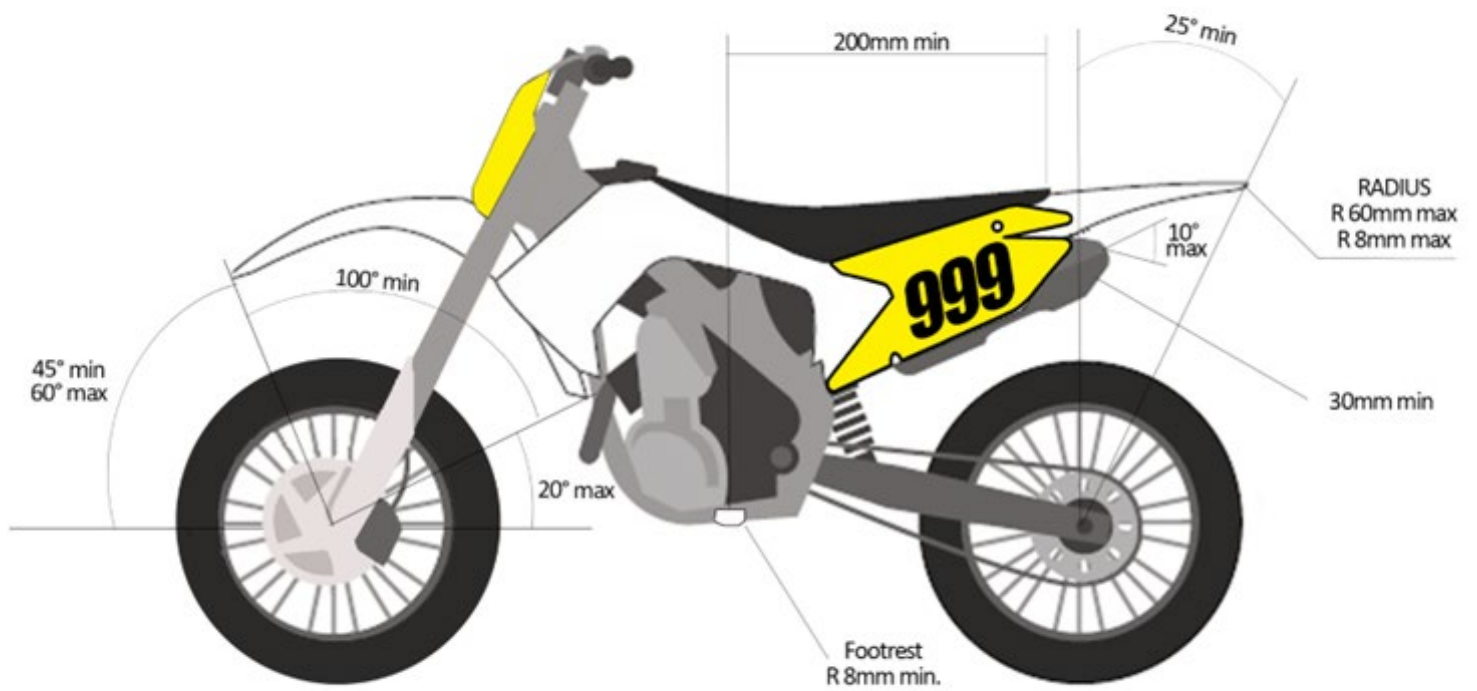
Spare silencers

The rider or the mechanic can present at the sound control, together with the vehicle, one (1) spare silencer to be checked. Other spare silencers may be presented after all participants have presented their vehicles, or on the following days of the event. Action and decisions will depend on the sporting discipline concerned, and decisions taken during prior discussions with the FIM technical director and/or the chief technical steward. In a competition which requires a final examination of machines before the results are announced, this examination must include a sound control measurement of at least three machines chosen at the discretion of the clerk of the course/FIM race director in co-operation with the chief technical steward. Refer to each discipline for more info.

"Max. power rpm" values

Max. power rpm values provided in advance by the vehicle manufacturers, for each specific production vehicle model, and/or measured with the dyno test and/or obtained by specialised magazines, are available upon request (cti@fim.ch).

DIAGRAMS



Width of the handlebar
600mm min - 850mm max

