

**Date:** 9.5.2024**Time:** 11:00 hrs**Subject:** BULLETIN NO: 4**Document No:** 1.4**From:** The Stewards**To:** All competitors / crew members

Number of pages: 1 Attachments: 1 (2 pages)

## A) Amendments to the Supplementary Regulations of the Rally

### 7. TYRES

#### 7.4 Tyre marking

Tyre marking zones will be organized

- after TC 0A, 5C, 9D, 13C and 18D

### 12. OTHER PROCEDURES

#### 12.6 Start order (add)

...

Provisional check-in times at TC 1 will be published in a COC Communication and also written to the time cards at TC 0A. However, all crews are required to follow marshals' orders and be ready to start at a different time if requested.

## B) Amendments to the Road Books

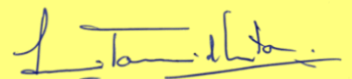
SSS 1 Stop Control and TC 1A will be separated. Pages 60 and 61 of Road Book Shakedown & Section 1 are replaced with those in **Attachment 1**.



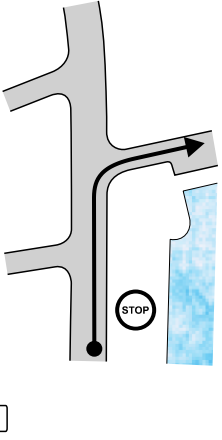




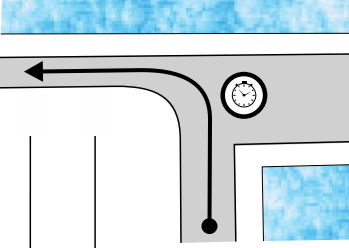
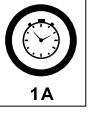
Silver Kütt  
The Stewards



David Domingo



Luís Tourais de Matos

Section 1	SS 1 → TC 1A		Distance / Distância	3,52 Km
	SS/PC - 1		Time / Tempo	0 h 10'
	"Figueira da Foz (SSS)" "Figueira da Foz - Câmara Municipal"		Average / Média	21,1 Km/h
Distanc. / Total		Direction / Direcção	Information / Informação	Distanc. / Regress.
	Par. / 0,30		EL   N 40° 08.894' W 8° 51.409'   H03  SE03  Doca de Recreio	0,16
3,36	5			
	Par. / 0,16		Doca de Recreio   N 40° 08.829' W 8° 51.379'	0,00
3,52	5A			

